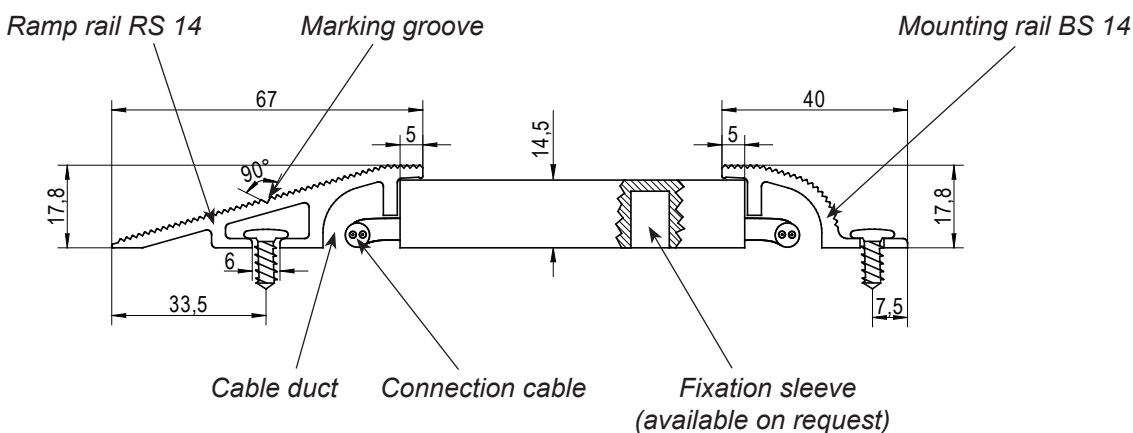


Ramp Rail RS 14

The ramp rail RS 14 provides secure mounting capability for the safety contact mat. The angled design reduces tripping and slipping when mounted to the mat. The integrated channel can be used for clean and safe installation of the connecting cable.

Mounting Rail BS 14

The mounting rail BS 14 can be used to attach the safety contact mat in less accessible areas (for example at machines, shut-off positions, walls, etc.). Also the integrated channel can be used for clean and safe installation of the connecting cable.



Fixation sleeve

This enables the safety contact mat to be fixed to the floor without additional space being needed.

Covers

Additional protection for the mat surface can be provided from the factory or for do-it-yourself mounting. All coverings can be replaced. Special covers or colors on request.

- RF2 - Rubber checkered cover, oil resistant
- ARB - Aluminum checkered sheet
- TBV - Stainless steel plate
- RF - Checkered cover with one compound mat

Type code information

ASK - 1P2 - RF1

Designation

ASO - Safety Contact mat

Number of switching zones within one mat

Base plate type

- P - PVC, grey
- A - Aluminum
- V - Stainless steel
- U - One compound mat

Cable version

- 0 - 1x connection cable 2-wire
- 1 - 1x connection cable with integrated terminal resistance
- 2 - 2x connection cable 2-wire
- 3 - 2x connection cable with resistance shrunk on cable
- 4.0 - 1x M8 male plug/1x M8 female plug
- 4.2 - like 4.0 with M8 connect. cable 2,5m
- 4.3 - like 4.0 with 5m cable M8 fem. plug and M8 resistor male plug
- 4.4 - like 4.0 with 5m cable M8 male plug and 5m cable M8 female plug
- 5.0 - 1x integrated resistor and 1x M8 male plug / 5m cable with M8 female plug

Cover quality

- RF 2 - Oil resistant
- ARB - Aluminum
- TBV - Stainless steel
- RF - Checkered cover with one compound mat
- NP - Euro dot surface with one compound mat
- SA - Sandy surface with one compound mat

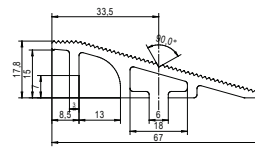
Special covers or colors on request

Technical specifications for safety contact mats

Max. Dimension:	2350 mm x 1350 mm
Standard dimensions:	1000 mm x 750 mm
available from stock	1000 mm x 1000 mm 1000 mm x 1500 mm
Construction height:	14 mm with covering
Weight:	approx. 15 kg/m ² (without covering)
Inactive border:	max. 10 mm on all sides
Switching pressure:	Round body Ø 80 mm = ca. 150 N
Static load:	max. 2000 N over Ø 80 mm *
Response time:	max. 25 ms * * Tested according to EN 1760-1
Switching cycles:	min. 1,5 Mio. (B _{10d} : 2.000.000)*
Electrical Capacity:	24 V 100 mA
Material:	Polyurethane black
Protection class:	IP 65
Temperature range:	0 °C to + 60 °C
Chem. resistance:	Oil, greases - good 10 % acid - resistant 10 % lye - resistant
Maintenance:	The mat is maintenance free. Functional testing on an annual basis is recommended
Connection cable:	Standard: Pluggable, 2 x 0,34 PU-cover black with M8 male/female plug, 120mm

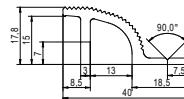
Technical specification Ramp rail RS 14

Material:	Aluminum AlMgSi 0,5
Standard delivery lengths:	2 m / 6m
Weights:	approx. 788 g/lfm



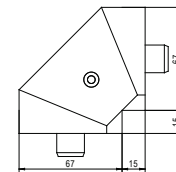
Technical specification Mounting rail BS 14

Material:	Aluminum AlMgSi 0,5
Standard delivery lengths:	2 m / 6m
Weights:	approx. 408 g/lfm



Technical specification corner connector EVA

Material:	PA 6 black
------------------	------------



Technical specification cover

Type:	RF2	ARB	TBV	RF/SA/NP
Material	Synth. rubber NBR	Aluminum AlMg 3	Stainless steel	
Tape	Checked cover	Checked cover	Tear cover	
Color	black			black
Material thickness	max. 4,5 mm	max. 4,5 mm	max. 4,5 mm	
Delivery widths	1,4 m	max. 1,5 m	max. 1,5 m	
Delivery lengths	up to 10 m coiled approx. 3,8 kg/m ²	max. 3,0 m approx. 7,0 kg/m ²	max. 3,0 m approx. 11,6 kg/m ²	
Chem. resistance				
Oil	good	good	very good	good
Gasoline	good	good	very good	resistant
Solvent	sufficient	good	very good	sufficient
Acid diluted	good	good	very good	resistant
Leach diluted	good	good	very good	resistant