



16T-ES19

Features

- Predestined for public surroundings (vandalism risk), industrial extreme surroundings
- Carbon contact technology
- High operating comfort thanks to our specially developed long-stroke keys
- Keycaps and front panel made of stainless steel
- Almost resistant to the effects of violence
- Key symbols are done by laser etching
- Any layout is possible
- Any customer-specific adaptations can be implemented on request
- Available with or without Front Panel, with backlit keycaps and trackball

Mechanical Data

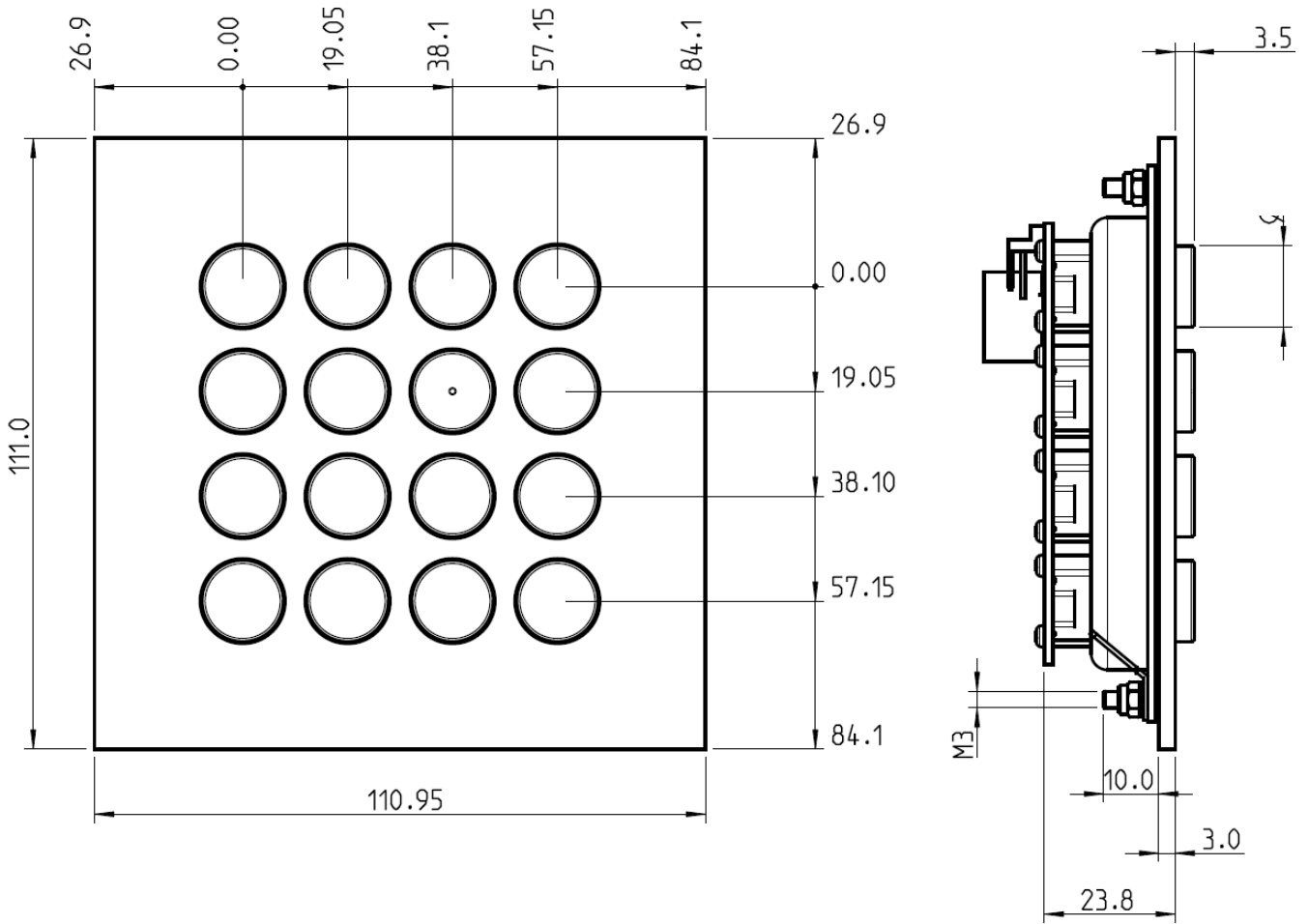
- Dimensions of 111 x 111 x 39 mm
- 3,25 mm travel keys with tactile feel
- Operation force 0,65 N
- 16 keys in compact layout
- Ergonomic 15 mm keycaps
- Durability > 10 million ops.
- Storage temperature -40°C - +70°C
- Operation temperature 0°C - +60°C (optional -20°C - +60°C)
- Protection IP65, IK09

Electrical Data

- Connection options: USB 2.0 or PS/2
- Power supply + 5 V/DC, 50 mA
- 2-key rollover
- Autorepeat
- CE Compliant
- RoHS/Reach Compliant


control touch trust

Drawing



Versions



16T-ES19

- With Front Panel



16T-ES19 EBV

- Without Front Panel



16T-ES19-TB

- With Trackball



16T-ES19-TB-HL6

- With blue backlit Trackball

