


CONTENS:

- Safety instructions
- Application notes
- Installation
- Electrical connection
- Commissioning
- Technical specifications
- Accessories



Chapter	Contents	Page		
		PLSG1K	PLSG2K	PLSG3K
1.	Safety instructions 	4	4	4
	Prerequisites for a use of safety light curtains	4	4	4
2.	Device overview / Features / Areas of application	5	5	5
3.	Description of functions	6	6	6
3.1	Muting functions	6	6	6
3.1.1	Muting	6	6	6
3.1.2	Muting sensors, prevention of muting manipulation	6	6	6
3.1.3	Muting time limitation, deactivation of muting time limitation	6	6	6
3.1.4	Renewed muting	6	6	6
3.1.5	Muting lamps	7	7	7
3.1.6	Override after unscheduled stop (for example, belt standstill	7	7	7
3.1.7	Muting with 4 muting sensors (example)	7	7	7
3.1.8	Muting with 2 muting sensors (example)	7	7	7
3.1.9	Delayed end of muting	-	7	7
3.1.10	Immediate end of muting when the protective field is cleared again	-	8	8
3.1.11	Delayed end of muting and immediate end of muting when the protective field is cleared again	-	8	8
3.2	Control and switching functions	9	9	9
3.2.1	2-stage deactivation of outputs (for example, robot safeguarding, delayed switching of OSSD 2) ...	-	9	9
3.2.2	Emergency-stop circuit monitoring (guarding door & grids, emergency-stop switches)	-	-	9
3.2.3	With restart interlock (start via button)	9	9	9
3.2.4	Without restart interlock	-	9	9
3.2.5	Two-hand start (start via two-hand button)	-	-	9
3.2.6	Contactor and valve control	9	9	9
3.3	Control functions	-	-	10
3.3.1	Restart interlock only during hazardous movement	-	-	10
3.3.2	Cycle control (automatic start of work cycles during insertion operations)	-	-	10
3.4	Teach-in of beam blanking functions for the BLVT / BLCT light grid	-	-	11
3.4.1	One-time or infrequently modified blanking	-	-	11
3.4.2	Regular or frequently modified blanking (optionally ...P)	-	12	12
3.5	Switchover between operating modes / beam blanking			
	Via an external selector switch selector switch (optionally ...P)	-	-	13
3.5.1	Switchover between up to 5 operating modes	-	-	13
3.5.2	Switchover between up to 5 operating modes and up to 5 beam blanking modes	-	-	14
	Example	-	-	15
4.	Setting muting times		16	16
4.1	Setting muting time limits	-	16	16
4.2	Setting delayed end of muting	-	17	17
5.	Setting the display language German / English	18	18	18

Electrical connection PLSG 1 see on page 27

Chapter	Contents	Page		
		PLSG1K	PLSG2K	PLSG3K
6.	Setting the operating mode (Hex switches)	-	19	19
6.1	Procedure of setting operating modes	-	20	20
6.2	Aid in determining the correct operating-mode table	-	21	21
	Operating mode tables for PLSG2 / PLSG3	-	22	22
6.3	1. Muting mode with restart interlock, without / with contactor control	-	22	22
	PLSG3K: Selection of emergency-stop circuit & two-hand start			
6.4	2. Muting mode without restart interlock, without /with contactor control	-	23	23
	PLSG3K: Selection of emergency-stop circuit			
6.5	3. Muting mode with restart interlock only during hazardous movement,	-	-	24
	with contactor control PLSG3: Selection of emergency-stop circuit			
6.6	4. without muting functions with restart interlock (two-hand start) with / without	-	-	24
	contactor control, with emergency-stop circuit monitoring			
6.7	5. without muting functions with restart interlock, without / with contactor control	-	-	25
6.8	6. Cycle control without / with contactor control, without / with muting	-	-	26
	(for insertion operations) PLSG3K: Selection of emergency-stop circuit			
7.	Electrical connection	27	27	27
7.1	Selection of required connection diagrams	27	27	27
7.2	Terminal designations	28	28	28
7.2.1	1. Contactor and valve control (EDM) (external elements)	29	29	29
7.2.2	2. Restart interlock (start button) or override after unscheduled stop	29	29	29
7.2.3	3. Two-hand start in case of muting mode with restart interlock	-	-	30
7.2.4	4. Emergency-stop circuit with muting modes	-	-	30
7.2.5	5. 2-stage deactivation of outputs (for example, robot safeguarding, delayed OSSD 2 switching)....	-	31	31
7.2.6	6. Muting with 4 sensors	32	32	32
7.2.7	7. Muting with 2 sensors	33	33	33
7.2.8	8. Stoppage of muting time limitation (for example, on belt standstill)	34	34	34
7.2.9	9. External displays for: Restart interlock, protective field state	-	-	35
7.2.10	10. Cycle control (automatic start of work cycles during insertion operations).....	-	-	36
7.2.11	11. Two-hand start and emergency-stop circuit monitoring without muting functions	-	-	37
7.2.12	12. Connection of light grid	38	38	38
7.2.13	13. Option..R: 2 internal safety relays	38	38	38
7.2.14	14. Option..S: Serial interface	-	39	39
7.2.15	15. Optional..P: Beam blanking functions for the BLVT / BLCT light grid	-	39	39
7.2.16	16. Optional..P: Switchover between operating modes via an external selector switch	-	-	40
8.	Dimensional drawings / assembly	41	41	41
9.	Technical data	42	42	42
10.	Fault diagnosis / Trouble-shooting / Remedy	43	43	43
11.	Service / Maintenance / Warranty	47	47	47
12.	Documentation of operating mode settings	48	48	48
13.	Order codes	49	49	49



All safety instructions are marked with this symbol and must be observed in particular.



Safe functionality of the entire installation is guaranteed only if this operating manual and applicable accident-prevention regulations are observed.

Forming part of the controller's scope of delivery, this operating manual must be kept at the controller's site of use.

All instructions in this operating manual must be strictly observed. The manual provides the user with important information concerning proper use of the PLSGK safety controller. Before commissioning the ...LVT/ ...LCT... safety light curtains with the PLSGK safety controller, make sure to read both operating manuals.

Observe applicable standards and guidelines when using safety light curtains. Local authorities or trade associations will provide you with the relevant information. All other applicable regulations and standards issued by employers' liability insurance associations must be observed too.

Qualified personnel Installation, commissioning and maintenance must only be carried out by qualified personnel.

Danger signs When operating a machine with ...LVT/ ...LCT... safety light curtains, ensure that nobody is located in the danger zone. A danger sign to this effect must be affixed to the machine.

Light barriers do not provide any protection against flying objects produced through operation of the machine.

During a use of safety light curtains with an external controller or other secondary control units, operative or organizational measures should ensure deactivation / testing at least once every 24 hours in order to detect and subsequently eliminate any faults on the controllers.

Ensure daily inspection (after 24 hours at the latest):

Using the test rod*, interrupt the light barrier on the transmitting side from the start to the end of the protective field so that the light field is only covered by this part. The green LED (or the yellow LED in the operating mode with restart interlock) must not light up from start to finish.

* The test rod's diameter must correspond to the detection capacity indicated on the receiver's type plate.

When using BLVT / BLCT- blanking functions, make sure to observe the **additional safety instructions** and all other specifications in the BLVT / BLCT operating manual.

When using cascaded light grids, make sure to observe the **additional safety instructions** and all other specifications in the ...LVTK / ...LCTK operating manual.

Prerequisites for the use of safety light curtains:

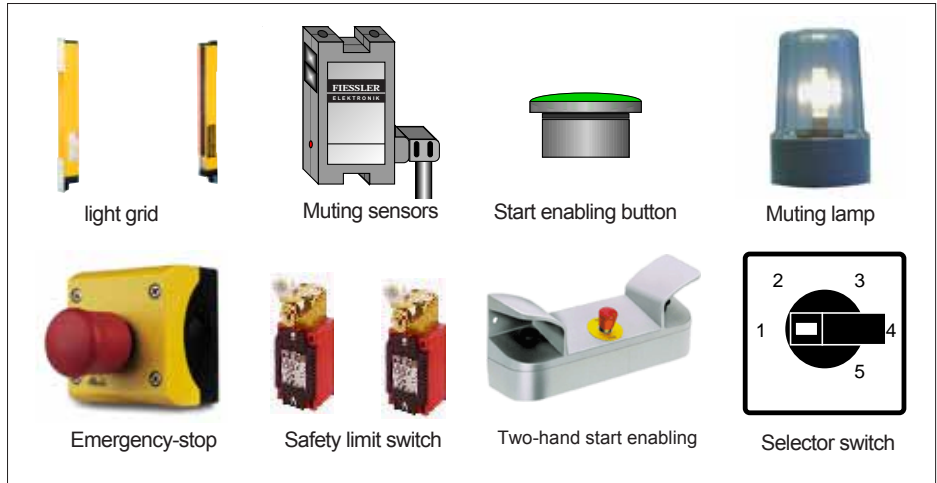
- The **safety distance** between the protective field and hazardous area must be large enough to ensure that, during entry into the protective field, the hazardous points cannot be reached before the hazardous movement is interrupted or ended.
- **Access to the hazardous area** must only be possible through the protective field (reaching under, over or around the field must not be possible).
- **Passing through the light curtain** must only be possible if the **restart interlock** is activated on interruption of the light curtain. A new command to activate the next hazardous machine movement must only be implemented via an enabling switch. This start button must not be operable from the hazardous area and must be located at a point from which the accessible area can be viewed without obstruction.
- It must be possible for the hazardous condition of a machine to be terminated by the sensor function.
- Unintentional repetition of a hazardous movement must be prevented by appropriate safety facilities.
- The **safety category** (type 4) of the accident-prevention light curtain should be at least the same as the safety category of the machine control unit.
- **Acceptance test:**
The acceptance test for the installation should be carried out by competent personnel who are in possession of all information provided by the supplier of the machine and the BWS.
- **Annual inspections:**
The operator must ensure that a competent person is assigned the task of inspecting the light curtain and its machine interface on a yearly basis. This person may, for example, be employed by the light curtain's manufacturer or the operator.

On request by the customer, Fiessler Elektronik carries out the acceptance test and annual inspections. In addition, seminars providing customers with training in annual inspections are held at regular intervals.

Connectable components:



PLSG3K_RP
in switch cabinet housing



Functions	PLSG1K	PLSG2K	PLSG3K	Setting the operating mode See Chapter 6 on page 20	starts from page
	Muting controller	Muting controller	Universal controller		
Muting with muting time monitoring	●	○	○	Brief bypass of the light grid is possible If material comes to a stop in the muting zone, muting is deactivated or the light grid is activated after the muting time has elapsed.	6
Delayed end of muting	-	○	○	Manipulation-proof muting when material flows exclusively outward from the hazard zone. Muting sensors are located in the hazard zone.	8
Immediate end of muting on clearing of the protective field	-	○	○	The muted state persists only as long as absolutely necessary. If this function is active, there is no muting time limit.	8
Override (for example, on belt standstill) after unscheduled stop	●	○	○		7
Contactors / valve control of subsequent switching elements	●	○	○		9
Restart interlock Start enabled via a button	●	○	○		9
Restart interlock only during hazardous movement (for example, during insertion operations)	-	-	○ not for Type...R	Infiltration of the protective field is possible during a standstill or non-hazardous movement without renewed enabling of start. 2 outputs for external display: Protective field state and restart interlo	10
Cyclic control (for example, during insertion operations) with work time monitoring (30s or 120s)	-	-	○	Cyclic infiltration of the protective field controls machine operation 1-cycle, 2-cycle, 3-cycle or 4-cycle operation 2 outputs for external display: Protective field state and restart interlock	10
Emergency-stop circuit monitoring Guard doors, emergency-stop switches	-	-	○		9
Two-hand start Start enabled via two-hand switch	-	-	○		9
2-stage output deactivation Deactivation of control drives (for example, robots)	-	○	○	On interruption of the protective field, OSSD1 and OSSD3 switch off immediately and instructs the machine (for example, robot) to shut down within 0.5 s. After 0.5 s, OSSD2 safely deactivates the machine.	9
Display Status and error messages	-	●	●	2 x 8 character LCD	18
BLVT / BLCT light grid blanking functions 11 protective-field blanking modes	-	-	○	In case of one-time or infrequently modified blanking Protective field blanking in the light grid is performed through one-time programming with the hex switches after a voltage reset. The blanking function remains saved in the light grid until new programming.	11
Option ...R 2 safety relays	only Typ ...R	only Typ ...R	only Typ ...R	Potential-free switching contacts: 4 NO, 2 NC, 2 x 2 NO in series (1 per relay)	38
Option ...S (not with ...M) Serial output of display data	-	nur Typ ...S	only Typ ...S	Serial output of messages RS 485 interface for status / error messages / 9600 baud, 1 start bit, 1 stop bit	39
Option ...P a) 11 BLVT/BLCT protective field blanking types b) Selector switch operation Storage and recall of operating modes / protective field blanking types	-	only Typ ...P only blanking	only Typ ...P	a) In case of regular or frequently modified blanking. Protective field blanking in the light grid is performed through actuation of a key switch b) Selector switch operation Switchover between up to 5 PLSG-operating modes and / or up to 5 protective field-blanking modes for the BLVT/BLCT light grid using a selector switch	39

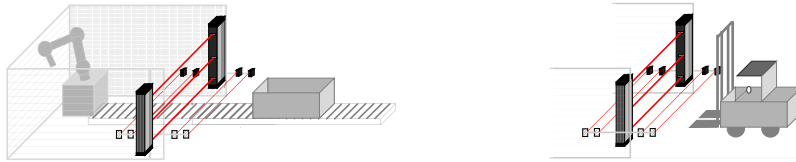
○ Function can be de-selected

- Function is not available

● Function **cannot** be de-selected

3.1.1 Muting (bypass)

Muting means brief bypass of a safety light barrier if this is required by the working cycle. For this purpose, +24V must be applied to muting input pairs 1A - 2A or 2A - 1B or 1B - 2B. Muting is only permissible if the hazard zone remains inaccessible or no hazardous movement is involved during the work cycle. This is ensured if material passes through the protective field of the safety light grid so as to prevent access to the hazardous zone between the material and the safety light grid or preclude hazardous movement. Applications include palleting machines, narrow-aisle storage facilities, forklift entrance routes, production cells, bending presses, presses with material input etc.

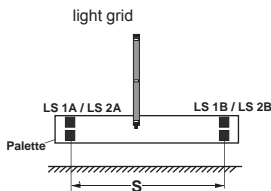


3.1.2 Muting sensors

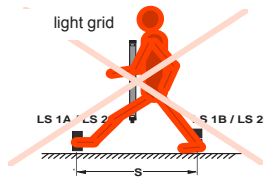
Differentiation between conveyed material) and humans or detection of non-hazardous movement is realized by at least 2 mutually independent muting sensors. These can comprise light barriers (for example, GR or MFL series from Fiesler-Elektronik), inductive sensors, cam switches or limit switches. The muting sensors must be conductive in the muted state.

Prevention of muting manipulation through proper assembly

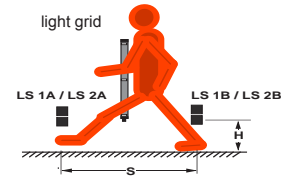
The muting sensors must be installed so that the triggering sensor pairs 1A-2A , 2A-1B, 1B-2B cannot be interrupted simultaneously by humans.



For proper bypass, S must be smaller than or equal to the length of the pallet.



The distance S must be large enough to prevent simultaneous interruption of muting sensors LS 1A / LS 2A and LS 1B / LS 2B by humans.



If necessary, the clearance H to the passable area or the distance S should be increased.

3.1.3 Muting time limit – monitoring of max. muting time

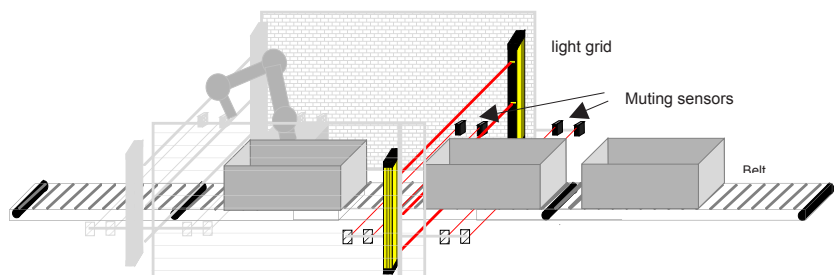
To prevent a safety light curtain from being continuously interrupted by intentional manipulation, a dependable time monitor has been installed additionally. The maximum muting time on the PLSG1K has been set firmly to 1 h. On the PLSG2K and -3K, the muting function is disabled after an adjustable time of 1 s to 253 s or 1 h. The default maximum muting time on the PLSG2K and PLSG3K is 30 s. **The muting time should be as short as permitted by the involved process** (see Page 16). Furthermore, the muting time limiter is able to check whether a muting sensor is mistakenly in the muted state. If the muting function is interrupted due to time overflow, any new muting of the safety light barrier is only possible if all muting sensors have returned into the non-muted condition. **Important: If the function "Immediate end of muting on clearing of the protective field" has been selected, there is no muting time limit.**

PLSG1	PLSG2/3
Fixed	Adjustable
1 h	(see Page 16)
	1 s to 253 s
	or 1 h

Stoppage of muting time limitation:

This prevents unwanted stop in the case of material accumulation (see Page 34).

The muting time limit can be stopped, for example, in case of material accumulation via a machine contact which applies + 24 V to the TR input to prevent unwanted deactivation of the PLSG outputs. Time monitoring is resumed as soon as status of a muting sensor changes.



3.1.4 Renewed muting state only after release of all muting sensors

Renewed muting of the safety light barrier is possible only if all muting sensors are in a non-muted state at the same time. If the light curtain is interrupted after end of muting, e.g. due to expiry of the muting time limit, the outputs are deactivated. If the protective field is clear again, the outputs are activated again either automatically or via the start button, in accordance with the selected operating mode.

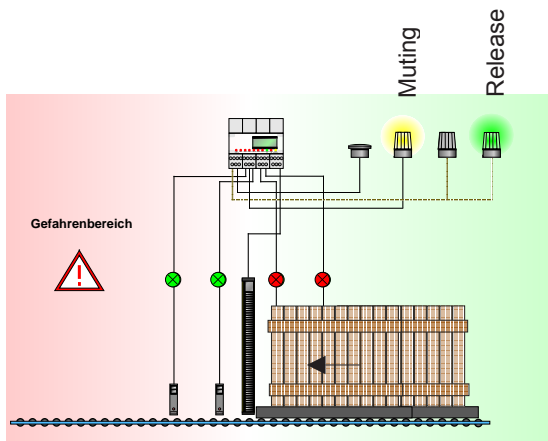
3.1.5 Muting lamp

Muting (bypass) of the light grid is permitted only if this is indicated by a lamp. It lights up whenever the light grid is muted. 2 external muting lamps can be connected (24 V max. 0.5 A, min. 50 mA). If either the internal or the external muting lamp is faulty or not connected, the other operational muting lamp indicates the muting state by flashing instead of shining continuously. This draws attention to the incident. If no lamp functionality is available, the light barrier will not be muted. Consequently, connection of an external muting lamp makes the muting function much more dependable.

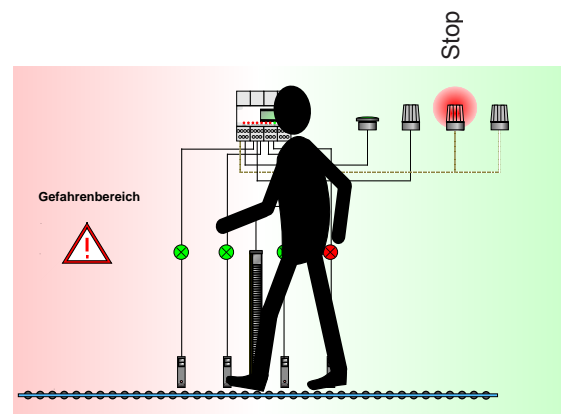
3.1.6 Override after an unscheduled stop

This enables start after an unscheduled stop in the muted state. If the muting time elapses or the power supply is reset, the output channels of the PLSGK are deactivated when the protective field is interrupted, even if a muting sensor pair of relevance to muting is in the muted state. In this case, the outputs of the PLSGK can be reactivated again by pressing the start button, as access to the hazardous area is blocked by the material in the protective area and the detection range of the muting sensors. However, the outputs of the PLSGK will open again if the protective field is not cleared within a period of 35 s after pressing the start button. Renewed muting of the safety light barrier is possible only if all muting sensors are in a non-muted state at the same time. The override function is not available in the "cycle control" operating mode. The start / override button must be installed so that it can only be activated from outside the hazardous area while leaving a clear view of this area.

3.1.7 Muting with 4 muting sensors (examples)

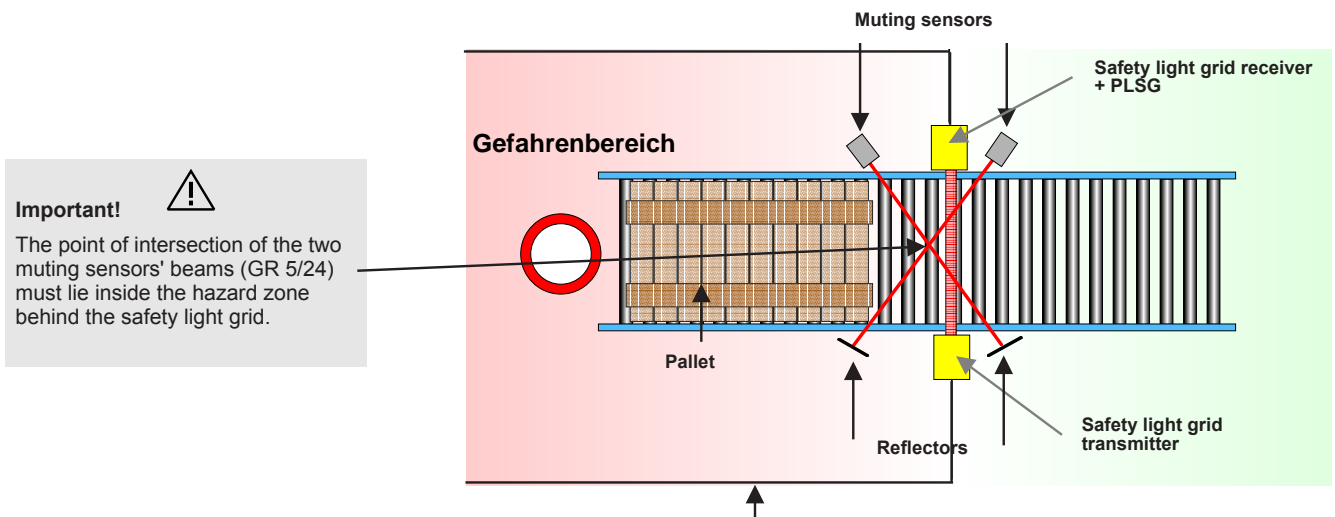



Muting remains enabled until at least 2 neighbouring muting sensors are interrupted.



If the muting sensors are arranged properly, it is not possible to simultaneously interrupt any of the sensor pairs.

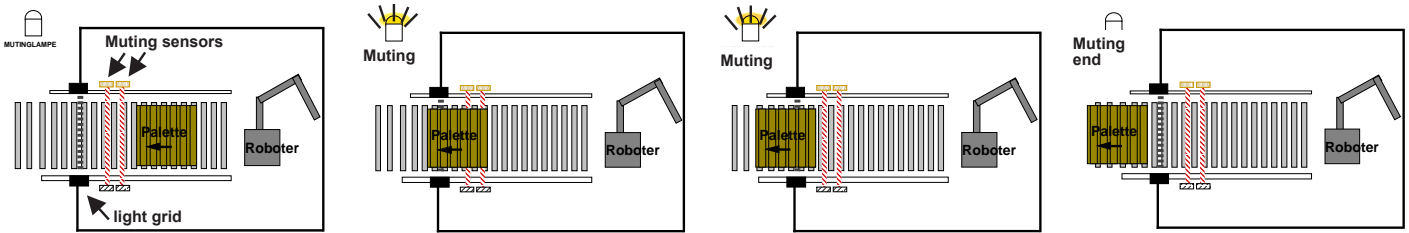
3.1.8 Muting with 2 muting sensors (for example, cross-muting)



Important!  The point of intersection of the two muting sensors' beams (GR 5/24) must lie inside the hazard zone behind the safety light grid.

3.1.9 Delayed end of muting (settings are provided on Page 17)

! Manipulation-proof muting when material flows exclusively outwards from the hazard zone. This muting mode is only permissible when material is conveyed out of the hazard zone.

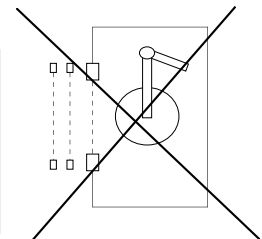


As soon as the pallet interrupts the beams of both muting sensors located behind the safety light grid facing the hazard zone, the safety light grid is bypassed. Once the pallet has moved on to a point where muting sensors is free again, the muting state persists for a short, adjustable delay period, enabling the material to leave the range of the safety light grid without deactivation of the PLSGK outputs. The setting of this termination delay period depends on the conveying speed and on the distance between the safety light grid's protective field and muting sensor. The muting termination delay period on delivery is preset to 0 s (max. 30 s, or 195 s in conjunction with 3.1.10).

! The muting termination delay period must be set as short as possible to guarantee soonest possible stop of muting after the material has left the protective field.

This muting function is especially immune to manipulation, because the protective field must be infiltrated before the muting sensors can be interrupted.

If the muting sensors are installed in front of the protective field outside the hazardous area, muting with a termination delay period is not permitted.

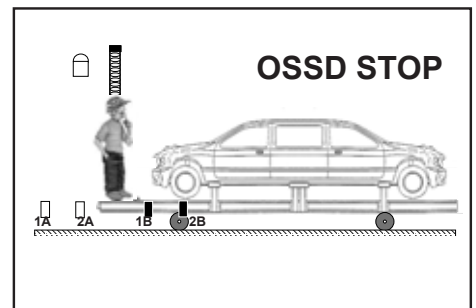
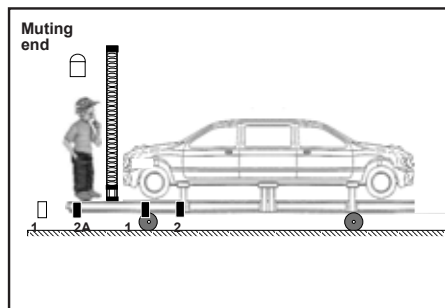
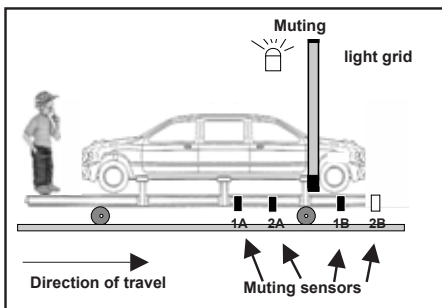


3.1.10 Immediate end of muting when the protective field is clear again

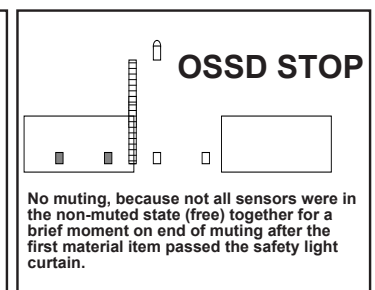
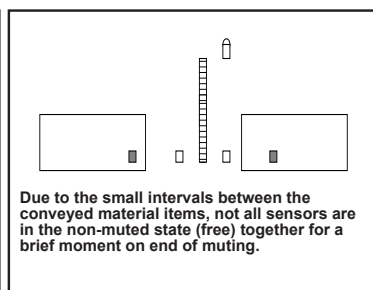
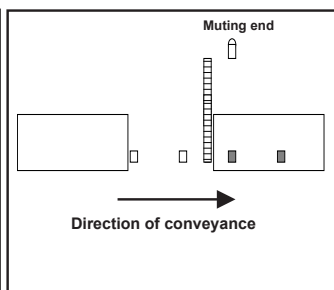
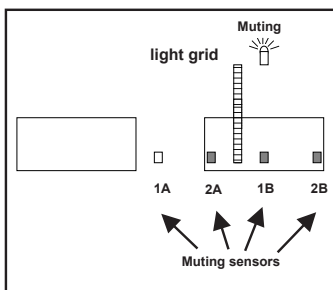


No muting time limit

The muting state remains set only as long as it is absolutely required. The function "muting termination if protective field is cleared again" stops muting of the safety light grid as soon as the protective field is cleared after passage of the material. A new muting state is possible only after restoration of all muting sensors to the non-muted state. This makes it possible to detect a person travelling on a floor conveyor if there is a gap between the conveyed material and the person.



This muting function cannot be used if the distance between the conveyed material items is sometimes smaller than the distance between the muting sensors that are remotest from each other.



3.1.11 Combination: Delayed end of muting / immediate end of muting when the protective field is clear again

Manipulation-proof muting if the material flow is only directed outwards from the hazard zone at extremely variable conveyor belt speeds. This combined operating mode is intended for use at extremely variable material conveying speeds, if the material is only transported outwards from the hazard zone. The muted state is terminated as soon as the material has passed the protective field. This permits the muting termination delay to be set so as to maintain dependable muting even at very slow conveyor speeds and prevent unprotected entry into the hazard zone immediately after passage of the material at high conveyance speeds. However, this muting function cannot be used if the distance between the conveyed items is sometimes smaller than the distance between the protective field and the muting sensor located furthest away inside the hazard zone.

3.2.1 Two-stage deactivation of outputs (for control drives, e.g. robot safeguarding)

PLSG2K / PLSG3K

Output OSSD1 and OSSD3 open immediately, i.e. with the maximum reaction time of 3.5 ms. OSSD2 opens with a delay of 0.5 s.



Output OSSD3 = category 3 in conjunction with OSSD1! Observe the safety notes in circuit diagram 5.

Possible application: If the hazardous movement is to be stopped in a controlled manner and the control device unit is not fail-safe. For this purpose, the control is driven via OSSD1 and OSSD3. If the control does not stop a hazardous movement when OSSD1 and OSSD3 are inactive, OSSD 2 disconnects the power supply and any open brake after 0.5 s, so that the hazardous movement comes to an uncontrolled stop. In this case, the longer response time of 0.5 s must be considered when calculating safety clearances to the hazardous area.

3.2.2 Emergency-stop circuit monitoring (monitoring of guard doors and emergency-stop buttons)

PLSG3K

One channel of a two-channel emergency-stop circuit with NC contacts can be connected each to muting sensor terminals 1A and 2A. Pulsation of these circuits permits monitoring of cross-connections between the channels. If one channel is opened and closed again, the PLSGK outputs are activated only if the other channel was interrupted simultaneously with the first channel. If OSSD2 cut-off delay was also selected, output OSSD2 is deactivated with a delay even on actuation of the emergency-stop function.



Not suitable for applications in which the emergency-stop function must be used to disconnect the machine's power supply.

3.2.3 Restart interlock (start of hazardous movement, enabled only via command initiation)

PLSG1K / PLSG2K / PLSG3K

The restart interlock prevents automatic release of the switching outputs after an interruption and reactivation of the protective field (for example, on passage through the field). When the protective field is clear again, the PLSGK outputs are only reactivated after the start button or two-hand button has been pressed and released.



The start button must be installed so that it can only be activated from outside the hazardous area while leaving a clear view of this area.

3.2.4 Without restart interlock

PLSG2K / PLSG3K

Start of hazardous movement, enabled without command initiation.

After an interruption and re-activation of the protective field the PLSGK switching outputs are released immediately.



In this operating mode, it must not be possible to step behind the safety light grid (refer to Chapter 4.3 of the ULVT operating manual).

3.2.5 Two-hand start

PLSG3K

Prevents inadvertent start of hazardous movement, e.g. in passable press areas.

In order to deliberately restart hazardous movement after an interruption of the protective field, there is the possibility of a two-hand-start. For this, it is necessary to connect a NO contact of a button to muting sensor terminals 1A, and a NC contact of another button to muting sensor terminals 2A. One exception is the operating mode: "Two-hand start with emergency circuit monitoring". This operating mode requires the connection to be made at 1B, 2B instead of 1A, 2A. If the protective field is clear, the PLSGK outputs can be enabled again if these two buttons are actuated simultaneously with a maximum tolerance of 0.5 s and released. There is no limit on time offset during release.



The start buttons must be installed so that they can only be activated from outside the hazardous area while leaving a clear view of this area.

3.2.6 Contactor and valve control (EDM) (control of subsequent switching elements)

PLSG1K / PLSG2K / PLSG3K

Switching elements connected downstream from the PLSGK (relays, contactors, valves) are checked for proper switching. Before every release of a switching output, a check is made as to whether the connected switching elements are also released, i.e. whether their force-guided auxiliary NC contacts are closed; only under these circumstances can the outputs be enabled again. If the downstream switching devices are not activated within 750 ms after the outputs are enabled, the outputs are disabled again and can be reactivated at the earliest after 1.3 s. This is to identify any defects on the cut-off elements before they become hazardous (refer to connection diagram 1).



Always monitor the cut-off devices that directly disable hazardous movement, i.e. the last links of the chain.

3.3.1 Restart interlock only during hazardous movement

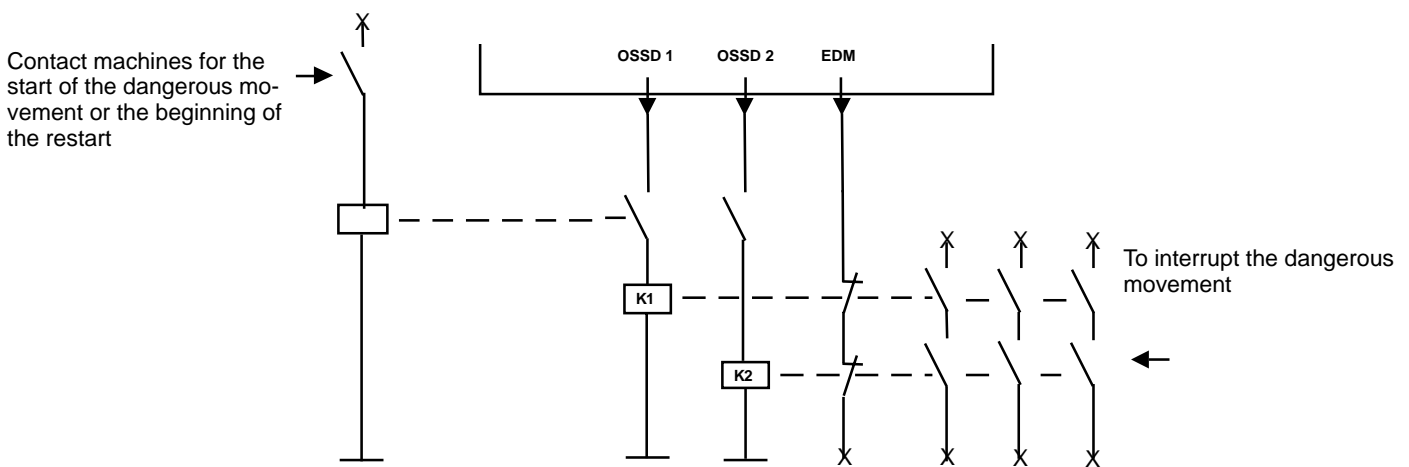
PLSG3K

Actuation of the start button is only necessary if the protective field has been interrupted during hazardous movement.

After an interruption of the protective field and its reactivation, the restart interlock is activated only if the switching elements connected downstream from the PLSGK are active. If the downstream switching elements are inactive, i.e. no hazardous movement is in progress, the PLSGK outputs are enabled immediately after an interruption and subsequent clearing of the protective field without actuation of the start button. For this function, the downstream switching elements must be monitored by the valve and contactor control (EDM). If there is a voltage of +24V at the EDM, i.e. the switching elements are inactive, the restart interlock is deactivated. If the EDM is driven with +24 V for longer than 1h , the switching outputs of the PLSG are interrupted. If the protective field is clear, the outputs can be enabled again by pushing the start button. In this case, the regular valve and contactor control system is active. In the operating mode with external display, terminal MS1A+ indicates the protective field's status (conductive = protective field clear) while terminal MS2A+ indicates the restart interlock's status (conductive = start button must be actuated). This function cannot be combined with the emergency-stop circuit. Inputs MS1B and MS2B are available for muting.

PLSG3K

Connection diagram 17



Applications with cyclic infiltration of the protective field during non-hazardous movement or machine standstill can be ergonomically safeguarded in this operating mode without a use of muting sensors. This mode is for the Type...R is not possible

! In this operating mode, it must not be possible to step behind the safety light grid (refer to Chapter installation conditions of the ...LVT / ...LCT operating manual).

3.3.2 Cyclic control (machine control defined by the operator's work patterns)

PLSG3K

The cycle mode enables an automatic restart of the machine after a predefined number of entries (cycles) into the protective field. The maximum time period during which the cycles must be performed is monitored. You may enter 1 - 4 cycles and a monitoring time of 30s or 120 s. According to the programmed number of cycles, the machine automatically performs one work cycle, and then waits max. 30 or 120 s, according to the preset time, for the programmed number of cycles. If the time period is longer, the restart interlock is activated. If during hazardous movement, the protective field is infiltrated, the PLSG outputs are disabled and the restart interlock is activated. After a voltage reset, the restart interlock is activated too. The PLSG outputs can be closed again by performing the preset number of entries into the protective field and subsequent activation of the start button (within the preset monitoring time). The end of the work cycle is signalled to the machine by a machine contact that is connected at the cycle reset input channel TR. If 0V is at the cycle reset input channel TR, i.e. the machine contact is open, the PLSG outputs are interrupted and the cycle counter as well as the time monitoring are reset. As long as the machine contact is open, entries into the protective field are not counted for the start of the work cycle. If the machine contact closes again, therefore providing + 24 V to the cycle reset input channel TR, time monitoring is started and all subsequent interruptions of the protective field are counted for the start of the work cycle. Wiring diagram 10 shows this with an example of two-hand control.

In the operating mode with external display, terminal MS1A+ indicates the protective field's status (conductive = protective field clear) while terminal MS2A+ indicates the restart interlock's status (conductive = start button must be actuated). This function cannot be combined with the emergency-stop circuit. Inputs MS1B and MS2B are available for muting.

Neither muting time limitation nor override is possible in a combination of cycle control and muting.

Applications include insertion operations with work monitoring for control of press brakes with a table height of more than 750 mm or revolving-transfer tables.

! In this operating mode, it must not be possible to step behind the safety light grid (refer to Chapter installation conditions of the ...LVT / ...LCT operating manual).
This operating mode is permitted only when using hand or finger protection (light curtain's detection capacity <= 30 mm)

3.4.1 One-time or infrequently modified blanking:

Teach-in of beam blanking functions with PLSG3 via hex switches (also refer to the BLVT / BLCT operating manual)



Hex switch

Teach-in procedure:

1. Set the hex switches to the desired blanking mode (refer to the table).
2. Position the barriers to be blanked out in the protective field.
The first beam (as seen from the plug) must not be dark during teach-in. Otherwise the light curtain assumes the error state and the orange and yellow LEDs on the receiver start to flash rapidly (about 4 times per second).
3. Reset the power supply (turn the operating voltage off and on again).
4. The PLSG3K displays the blanking mode to be programmed.
5. The red and orange LEDs of the BLVT / BLCT come on.
6. The green LED of the BLVT / BLCT comes on; depending on the selected blanking mode, the yellow and orange LEDs flash.

Setting the operating mode of the PLSG3K:

1. Turn off the PLSG3K.
2. Set the hex switches to the desired PLSG3K operating mode (refer to Chapter 6 on operating-mode tables).
3. Turn on the PLSG3K

Hex switch



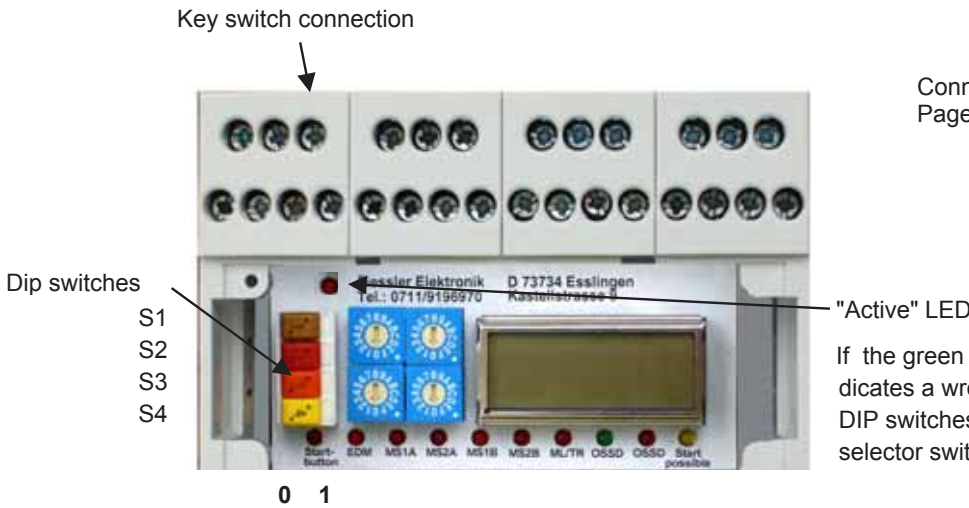
Beam blanking functions of the BLVT / BLCT light grid

Refer to Chapter 3.5 and the BLVTor BLCT operating manual.	
12 34	
55 00	No blanking
55 11	Static blanking
55 22	Static blanking with 1-beam reduced resolution
55 33	Static blanking with 2-beam reduced resolution
55 44	Dynamic blanking
55 55	Dynamic blanking with 1-beam reduced resolution
55 66	Dynamic blanking with 2-beam reduced resolution
55 77	1-beam reduced resolution
55 88	2-beam reduced resolution
55 99	Only ignore 1 beam once
55 AA	Only ignore 2 beams once

Option ...P PLSG2K_P
Option ...P PLSG3K_P

3.4.2 In case of regular or frequently modified blanking:

Teach-in of beam blanking functions with PLSG...K via an external key switch (programming unit integrated)



Connection diagram 15
Page 39

If the green LED "Aktiv" is flashing, this indicates a wrong switching position of the DIP switches or a wrong connection at the selector switch connection terminals.

Teach-in process:

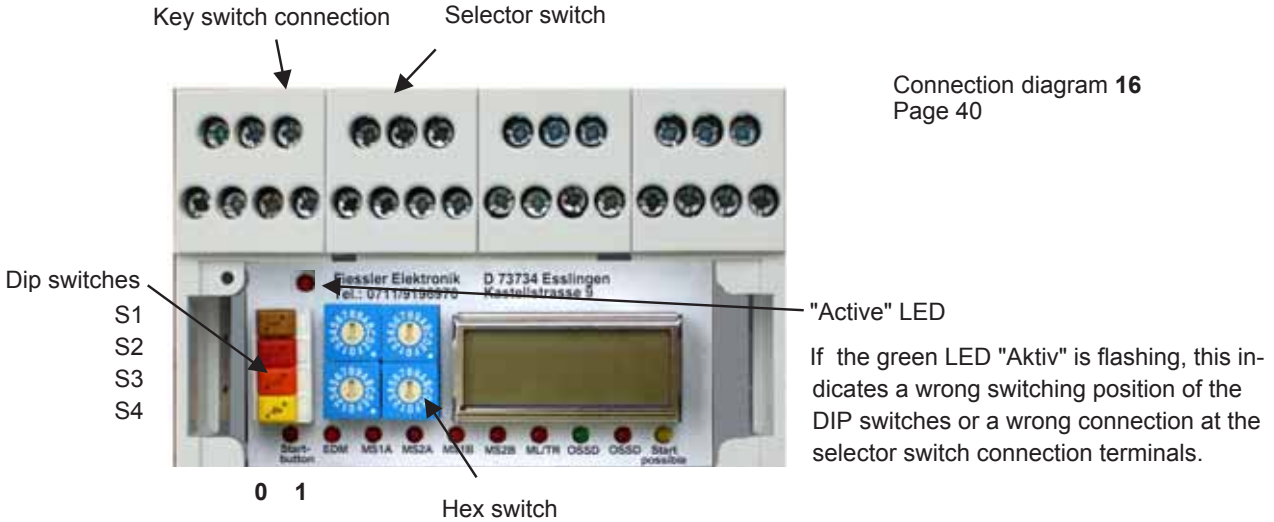
1. Set the desired beam-blanking function with the dip switches of the PLSG...K_P.
2. Position the barriers to be blanked out in the protective field.
The first beam (as seen from the plug) must not be dark during teach-in. Otherwise the light grid assumes the error state and the orange and yellow LEDs on the receiver start to flash rapidly (about 4 times per second).
3. Actuate the key switch for at least 2 seconds until the "Active" LED comes on.
4. Release the key switch.
5. The blanking mode of the BLVT / BLCT light grid is displayed. When the "Active" LED goes off, it means that programming is complete, and the red and orange LEDs of the light grid's receiver come on.
6. The light grid is now ready for operation. The green LED on the light grid's receiver comes on.
The operating modes dynamic blanking as well as 1-beam and 2-beam reduced resolution are indicated on the receiver by slow flashing (approximately once / second) of the "Adjustment aid and restart interlock" LEDs.

blanking modes:	Dip switches			
	S1	S2	S3	S4
No blanking	1	1	1	1
Static blanking	1	0	0	0
Static blanking with 1-beam reduced resolution	1	0	0	1
Static blanking with 1-beam reduced resolution	1	0	1	0
Dynamic blanking (nur 1 Bereich möglich)	0	1	0	0
Dynamic blanking with 1-beam reduced resolution	0	1	0	1
Dynamic blanking with 2-beam reduced resolution	0	1	1	0
1-beam reduced resolution	0	0	0	1
2-beam reduced resolution	0	0	1	0
Only ignore 1 beam once	0	0	1	1
Only ignore 2 beam once	1	1	0	0

! When operating the BLVT, the protective field must be tested with the test rod as indicated in the instruction manual after reprogramming or switching. At any point in the remaining protective field, this rod must lead to deactivation. Observe the BLVT / BLCT operating manual.

3.5.1 Switchover between up to 5 operating modes

Up to 5 operating modes can be stored in the PLSG3K_P. An external selector switch can be used to change between the saved operating modes. During cyclic control, for example, changeover is possible between various work cycles and/or cycle time monitoring modes, or operating modes without cycle control.



Connection diagram 16
Page 40

Storage of operating modes in the PLSG3K_P:

- Use the hex switches to set the PLSG3K_P to the desired operating mode (refer to Chapter 6 on operating-mode tables).
- Set all dip switches to 0 (as in the picture above).
- Move the selector switch to the setting to be assigned to the PLSG3K_P operating mode.
- Actuate the key switch for at least 2 seconds until the "Active" LED comes on.
- Release the key switch.
- The LCD displays **"Mode // assigned"** and the selector switch setting (for example, **"Switch // mode 1"**).



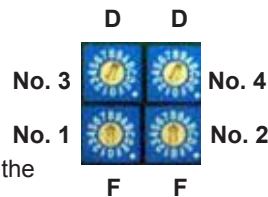
Repeat steps 1 - 6 for each required selector switch setting.

Example:

	Hex switch	Dip switch	selector switch	key switch
	1 2 3 4	S1 S2 S3 S4		
1 Cycle control with restart interlock, with contactor control	E E 0 0	0 0 0 0	1	actuate for 2 sec.
2 Cycle control with restart interlock, with contactor control	E E 1 1	0 0 0 0	2	actuate for 2 sec.
3 Cycle control with restart interlock, with contactor control	E E 2 2	0 0 0 0	3	actuate for 2 sec.
Muting mode with restart interlock, with contactor control	8 8 0 0	0 0 0 0	4	actuate for 2 sec.
Safety mode with restart interlock, with contactor control	C C 0 0	0 0 0 0	5	actuate for 2 sec.

Preparing for switching between operating modes

- Move the hex switches to the setting "selector switch operation without blanking assignment" (= FF DD).
- Set all dip switches to 0 (as in the picture above).
- To complete storage, perform the following step once (activation of the current selector switch setting).



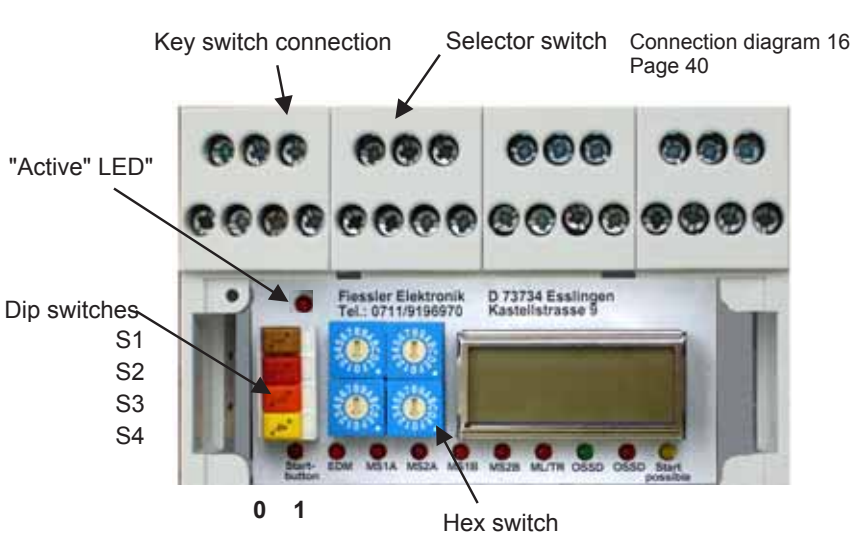
Activation of the current selector switch setting / switchover between stored operating modes:

- Move the selector switch to the setting assigned to the desired operating mode.
- Actuate the key switch for at least 2 seconds until the "Active" LED comes on.
- Release the key switch.

3.5.2 Switchover between up to 5 operating modes and up to 5 beam blanking functions in the light grid

Up to 5 operating modes can be stored in the PLSG3K_P, simultaneously with up to 5 blanking functions in the BLVT / BLCT light grid. An external selector switch can be used to change between the saved operating modes and blanking functions of the BLVT / BLCT, so that each selector switch setting can be assigned to a different PLSG3K_P operating mode and beam-blanking function.

Assignments between BLVT / BLCT blanking functions and the selector switch can also be de-selected, permitting retention of the BLVT / BLCT blanking functions on switchover of the PLSG3K_P operating mode.



blanking modes:	Dip switches			
	S1	S2	S3	S4
No blanking	1	1	1	1
Static blanking	1	0	0	0
Static blanking with 1-beam reduced resolution	1	0	0	1
Static blanking with 1-beam reduced resolution	1	0	1	0
Dynamic blanking (nur 1 Bereich möglich)	0	1	0	0
Dynamic blanking with 1-beam reduced resolution	0	1	0	1
Dynamic blanking with 2-beam reduced resolution	0	1	1	0
1-beam reduced resolution	0	0	0	1
2-beam reduced resolution	0	0	1	0
Only ignore 1 beam once	0	0	1	1
Only ignore 2 beam once	1	1	0	0

Storage of operating modes and beam blanking:

1. Use the hex switches to set the required PLSG operating mode.
2. Use the dip switches to set the required BLVT / BLCT blanking mode.
3. Move the selector switch to the setting to be assigned to the PLSG operating mode and blanking function.
4. Position the barriers to be blanked in the protective field.

The first beam (as seen from the plug) must not be dark during teach-in. Otherwise the light grid assumes the error state, and the orange and yellow LEDs on the receiver flash rapidly (approximately 4 times / second).

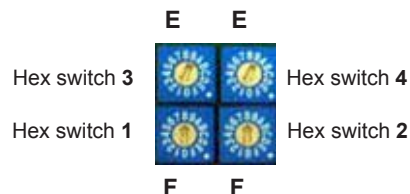
5. Actuate the key switch for at least 2 seconds until the "Active" LED comes on. If the green LED "Aktiv" is flashing, this indicates a wrong switching position of the DIP switches or a wrong connection at the selector switch connection terminals.
6. Release the key switch.
7. The LCD displays the blanking mode, and the red and orange LEDs of the BLVT / BLCT light grid come on.
8. The LCD displays (**mode // assigned**) and the selector switch setting (for example, **switch // mode 1**). The green LED on the BLVT / BLCT comes on; depending on the blanking mode, the yellow and orange LEDs flash.

Repeat steps 1 - 8 for each required selector switch setting.

Example: see next page

Preparing for switching between operating modes:

1. Move the hex switches to the setting "selector switch operation with blanking assignment" (= **FF EE**).
2. Set all dip switches to 0 (as in the picture above).



Switching between stored operating modes / blanking functions:

1. Move the selector switch to the setting assigned to the required operating mode.
2. Actuate the key switch for at least 2 seconds until the "Active" LED comes on.
3. Release the key switch

! During operation with blanking function, the protective field must be tested with the test rod after re-programming or switching. At any point in the remaining protective field, this rod must lead to deactivation. Observe the BLVT / BLCT operating manual.

3.5.2 Switchover between up to 5 operating modes and up to 5 beam blanking functions in the light grid

Example:



1. Storage of operating modes and beam blanking:

Hex switch 1 2 3 4	Dip switch S1 S2 S3 S4	selector switch	key switch
E E 0 0	1 1 1 1	1	actuate for 2 sec.
1 Cycle control with restart interlock, with contactor control	No blanking		
E E 1 1	1 1 1 1	2	actuate for 2 sec.
2 Cycle control with restart interlock, with contactor control	No blanking		
8 8 0 0	1 1 1 1	3	actuate for 2 sec.
Muting mode with restart interlock, with contactor control	No blanking		
C C 0 0	0 0 1 1	4	actuate for 2 sec.
Safety mode with restart interlock, with contactor control	Only ignore 1 beam once		
C C 0 0	1 0 0 0	5	actuate for 2 sec.
Safety mode with restart interlock, with contactor control	Static blanking		

2. Preparing for switching between operating modes:

Hex switch 1 2 3 4	Dip switch S1 S2 S3 S4
F F E E	0 0 0 0
selector switch operation with blanking assignment	

3. Switching between stored operating modes / blanking functions::

selector switch	key switch	Operation mode / blanking mode
1	actuate for 2 sec.	1 Cycle control with restart interlock, with contactor control, no blanking
2	actuate for 2 sec.	2 Cycle control with restart interlock, with contactor control, no blanking
3	actuate for 2 sec.	Muting mode with restart interlock, with contactor control, no blanking
4	actuate for 2 sec.	Safety mode with restart interlock, with contactor control, only ignore 1 beam once
5	actuate for 2 sec.	Safety mode with restart interlock, with contactor control, Static blanking

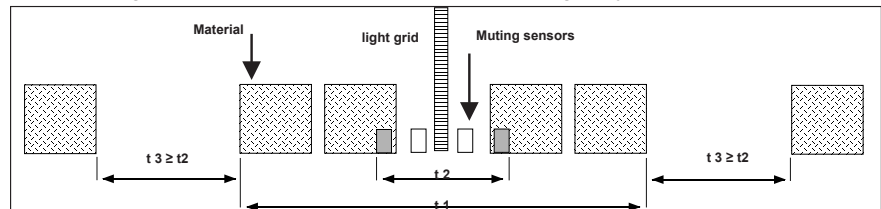
4.1 Setting and storage of muting time limits (max. muting time). Also refer to Chapter 3.1.3.

The operator can limiting the muting time on the PLSG2K & PLSG3K. The time period begins as soon as one muting sensor switches into the muted state, and ends as soon as all sensors are in the non-muted state. This period should be set to the shortest possible value permitted by the nature of the application, in order to maximize manipulation safety and optimize fault detection on the muting sensors.

To ensure proper functionality of the system, however, the muting time limit should be sufficient to prevent the maximum muting time from being exceeded given the slowest flow of material and the longest material items.

If the distance between the conveyed material items can be smaller than the distance between the muting sensors which are remotest from each other (t_2), the muting time runs on until the gap between the material items is large enough again to disable all muting sensors simultaneously (t_3). In this case, the muting time limit must be set such that it is longer by t_2 than the time needed between two larger gaps (t_1).

Minimum muting time = $t_1 + t_2$



The muting time limit is set by actuating the start button in accordance with the plain text instructions displayed by the PLSG2K / -3K.

To change between menus, briefly press the start button; to confirm the display, keep the button held down until the "release button" prompt appears (after about 2 seconds).



The PLSGK is delivered with a default muting time limit of 30 seconds.

The settings are only effective during use of the muting function.

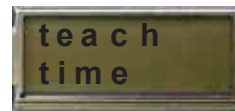
If the function "Immediate end of muting when the protective field is clear again" has been selected, there is no muting time limit.

Example: The muting time limit is to be raised from 30 s to 50 s:

1. Turn off the supply voltage.
2. Press the start button.
3. Keep the start button pressed. Turn on the supply voltage.
4. Keep the start button pressed. Plain text display: "TEACH TIME".
5. Keep the start button pressed. Plain text display: "RELEASE BUTTON".
6. Release the start button.
7. Plain text display: "MAX: MUTE TIME".
8. Press the start button.
9. Keep the start button pressed. Plain text display: "RELEASE BUTTON".
10. Release the start button.
11. Plain text display: "MUTE TIME 30 SEC." The set muting time limit is indicated.
12. Press the start button briefly and release it again. This increments the time until the start button is actuated again.
13. Plain text display: "MUTE TIME 31 SEC."
14. Plain text display: "MUTE TIME 32 SEC."
15. Plain text display: "MUTE TIME 33 SEC."
16. .
17.


31. Plain text display: "MUTE TIME 49 SEC."
32. Plain text display: "MUTE TIME 50 SEC."
33. Plain text display: "MUTE TIME 51 SEC." No check was made as to whether the 50 s were overshoot. For this reason:
34. Press the start button briefly and release it again. This decrements the time until the start button is actuated again.
35. Plain text display: "MUTE TIME 50 SEC."
36. Press the start button.
37. Keep the start button pressed. Plain text display: "STORED 50 SEC."
38. Keep the start button pressed. Plain text display: "RELEASE BUTTON"
39. Release the start button
40. Plain text display: "MAX. MUTE TIME ". If the time needs to be readjusted, proceed again from step 8.
41. Press the start button briefly and release it again.
42. Plain text display: "MUTE OFF DELAY". This message appears only if the set operating mode permits delays in end of muting. In this case, the delay time can be set here as described in the next chapter.
43. Press the start button briefly and release it again
44. Plain text display: "EXIT TEACH"
45. Press the start button.
46. Keep the start button pressed. Plain text display: "RELEASE BUTTON"
47. Release the start button

The setting procedure is complete.



4.2 Setting and storing end of muting delay

The delayed end of muting period starts as soon as the conveyed material has left the range of the muting sensors, so that they no longer produce the muting state. **The delayed end of muting period must be set to the shortest possible value** to enable cancellation of the muting state as soon as the conveyed material has left the protective field. However, this period should be sufficiently long to cover the time needed for the material to be conveyed from clearing of the muting sensor located farthest from the protective field until renewed clearing of the protective field at the slowest possible conveyor speed. If the conveying speed varies very much, an operating mode comprising the combination "delayed end of muting period + end of muting as soon as the protective field is free" should be selected.

 The delayed end of muting period must be set to 0 seconds if the muting sensors are installed in front of the protective field outside the hazard zone (refer to Chapters 3.1.9 and 3.1.11)

Delayed end of muting is set by actuating the start button according to the plain text instructions output by the PLSG2K / 3K.

To change over between menus, briefly press the start button; to confirm the display, keep the button held down until the "release button" prompt appears.



By default, the PLSGK has the delayed end of muting set to 0 seconds.

The setting is only effective during use of the muting function with delayed end of muting.

Example: The end of muting delay is to be lengthened from 0s to 20s:

1. Turn off the supply voltage.
2. Press the start button.
3. Keep the start button pressed. Turn on the supply voltage.
4. Keep the start button pressed. Plain text display: "TEACH TIME".
5. Keep the start button pressed. Plain text display: "RELEASE BUTTON"
6. Release the start button.
7. Plain text display: "MAX: MUTE TIME". The muting time can be set here as described in the previous chapter.
8. Press the start button briefly and release it again
9. Plain text display: "MUTE OFF DELAY"
10. Press the start button.
11. Keep the start button pressed. Plain text display: "RELEASE BUTTON"
12. Release the start button.
13. Plain text display: "OFFDELAY 0 SEC." The set end of muting delay is indicated.
14. Press the start button briefly and release it again. This increments the time until the start button is actuated again.
15. Plain text display: "OFFDELAY 1 SEC."
16. Plain text display: "OFFDELAY 2 SEC."
17. Plain text display: "OFFDELAY 3 SEC."
- 18.
19. ...
34. Plain text display: "OFFDELAY 19 SEC."
35. Plain text display: "OFFDELAY 20 SEC."
36. Plain text display: "OFFDELAY 21 SEC." No check was made as to whether the 20 s were overshoot. For this reason:
37. Press the start button briefly and release it again. This decrements the time until the start button is actuated again.
38. Plain text display: "OFFDELAY 20 SEC."
39. Press the start button.
40. Keep the start button pressed. Plain text display: "STORED 20 SEC."
41. Keep the start button pressed. Plain text display: "RELEASE BUTTON"
42. Release the start button.
43. Plain text display: "MAX. MUTE TIME ". The muting time limit can be set here as described in the previous chapter.
44. Press the start button briefly and release it again
45. Plain text display: "MUTE OFF DELAY". If the time needs to be readjusted, proceed again from step 10.
46. Press the start button briefly and release it again
47. Plain text display: "EXIT TEACH"
48. Press the start button.
49. Keep the start button pressed. Plain text display: "RELEASE BUTTON"
50. Release the start button.




The setting procedure is complete.

To change the display language, move the hex switch to the corresponding setting, turn off the supply voltage and turn it on again.

After the display language has been changed, turn off the voltage, set the required operating mode (refer to Chapter 6 on operating-mode tables) and turn on the voltage again.

Hex switch



Hex switch		Changing and saving the display language	
12	34		
FF	BB		German
FF	CC		English



6.1 Hex switches (for setting the operating mode operating mode and additional functions)



Hex switches 1 - 4 are used to set the desired operating modes.
To adjust these hex switches, it is necessary to remove the connection cover.



IMPORTANT:

Perform these settings with the PLSG...K de-energized.

To ensure error-free operation, set an operating mode suitable for the application and observe the relevant connection diagrams.

Also observe Chapter 6.2 (procedure for setting operating modes) and Chapter 7.3 (relevant connection diagrams).

1. Ascertaining functions with the selection aid (next page) and determining operating mode tables

The **selection aid ...** shows all possible combinations of functions and corresponding tables of operating modes.

Chapter 3 provides important notes on the various functions.

Example: (PLSG3K)

- **with restart interlock**
- **with contactor and valve control**
- **Muting mode**
- **immediate end of muting when the protective field is clear again**
- **connection of an emergency-stop switch**

Determined mode table **1** on Page 22

Selected functions	Function possible		No. Operating mode table					
	PLSG2K	PLSG3K	1 p. 22	2 p. 23	3 p. 24	4 p. 24	5 p. 25	6 p. 26
With restart interlock Start of hazardous movement possible only with manual acknowledgement (start button).	X	X	●	-	-	●	●	●
Without restart interlock Start of hazardous movement possible without command initiation	X	X	-	●	-	-	-	-
With restart interlock only during hazardous movement For cyclic infiltration of the protective field during non-hazardous movement or at a standstill, without subsequent command initiation for starting.	-	X	-	-	●	-	-	-
Contactor and valve control (EDM) Control of subsequent switching elements	X	X	○	○	●	○	○	○
Muting (bypass) If material is conveyed through the protective field, or if manufacturing conditions prevent stop on interruption of the protective field in a segment of the work cycle.	X	X	⊗	⊗	⊗	-	-	⊗
Stoppage of muting time limitation Prevents unwanted deactivation in case of material accumulation.	X	X	○	○	○	-	-	-
Override Enables start after unscheduled stop in a muted state (for example, belt standstill)	X	X	○	○	○	-	-	-
Muting with 4 sensors The conveyed material is scanned by 4 sensors.	X	X	○	○	○	-	-	-
Muting with 2 sensors The conveyed material is scanned 2 sensors.	X	X	○	○	○	-	-	○
Delayed end of muting Manipulation-proof muting if conveyed material flow only exits the hazardous zone.	X	X	○	○	○	-	-	-
Immediate end of muting when protective field is cleared again The muted state persists only as long as absolutely necessary	X	X	○	○	○	-	-	-
2-stage output deactivation Output OSSD2 switches off with a delay of 0.5 s. OSSD1 switches off immediately. <i>For safety-critical control drives, e.g. robot safeguarding.</i>	X	X	○	○	○	-	○	-
Emergency-stop circuit monitoring Monitoring of guard doors, emergency-stop switches etc.	-	X	○	○	○	●	-	○
Two-hand start Prevention of inadvertent starting in hazard zones, e.g. passable press areas.	-	X	○	○	-	●	-	-
External displays for start and protective field status Optional connection	-	X	-	-	○	-	○	○
Cycle control (1 - 4 work cycles, e.g. for insertion operations)	-	X	-	-	-	-	-	●
Machine control via the operator's work patterns.	-	X	-	-	-	-	-	●

Selection aiding table ... on the next page

- Function can be de-selected
- Function cannot be de-selected
- ⊗ Function is not necessary
- Function is not available

2. Reading and setting operating modes

In der ermittelten **Betriebsart-** From the **table** determined for the **selected operating mode**, read the corresponding **hex switch position** and set it on the PLSG...K. (observe the correct order of the hex switches)



6.3 Muting mode with restart interlock (also refer to Chapter 3.2.3)

Hex switch	Muting time limit ⁶	End of muting delay ¹	End of muting with the protective field clear ²	OSSD2 cut off delay ³	Emergency-stop circuit (only 2 muting sensors)	Two-hand start ⁵ (only 2 muting sensors)	Corresponding connection diagrams	
	Obs. Chapters 3.1.3 and 4.1!	Obs. Chapters 3.1.9, 3.1.11 and 4.2!	Obs. Chapters 3.1.10 and 3.1.11!	Obs. Chapter 3.2.1!	Obs. Chapter 3.2.2!	Obs. Chapter 3.2.5!		
12 34	Without contactor control (observe Chapter 3.2.6)						Must	Option
00 00	● (1 - 253s / 1h)	-	-	-	-	-	2, 12	6, 7, 8
00 11	● (1 - 253s / 1h)	-	-	-	● (only PLSG3)	-	2, 4, 12	7, 8

Excerpt from operating mode table 1 on Page 22

00 FF	-	● (1 - 195s)	●	-	-	● (only PLSG3)	3, 12	7, 8
12 34	With contactor control (observe Chapter 3.2.6)						Must	Option
88 00	● (1 - 253s / 1h)	-	-	-	-	-	1, 2, 12	6, 7,
88 11	● (1 - 253s / 1h)	-	-	-	● (only PLSG3)	-	1, 2, 4, 12	7, 8
88 22	● (1 - 253s / 1h)	-	-	●	-	-	1, 2, 5, 12	6, 7,
88 33	● (1 - 253s / 1h)	-	-	-	-	● (only PLSG3)	1, 3, 12	7, 8
88 44	-	-	●	-	-	-	1, 2, 12	6, 7,
88 55	-	-	●	-	● (only PLSG3)	-	1, 2, 4, 12	7, 8
88 66	-	-	●	●	-	-	1, 2, 5, 12	6, 7,
88 77	-	-	-	-	-	-	1, 3, 12	7, 8

Hex switch setting determined for the example above: **88 55**

1. Select the functions

2. Ascertain the operating mode table

Functions	Function possible		No. Operating mode table					
	PLSG2K	PLSG3K	1 p. 22	2 p. 23	3 p. 24	4 p. 24	5 p. 25	6 p. 26
With restart interlock Start of hazardous movement possible only with manual acknowledgement (start button).	X	X	●	-	-	●	●	●
Without restart interlock Start of hazardous movement possible without command initiation	X	X	-	●	-	-	-	-
With restart interlock only during hazardous movement For cyclic infiltration of the protective field during non-hazardous movement or at a standstill, without subsequent command initiation for starting.	-	X not for Type...R	-	-	●	-	-	-
Contactor and valve control (EDM) Control of subsequent switching elements	X	X	○	○	●	○	○	○
Muting (bypass) If material is conveyed through the protective field, or if manufacturing conditions prevent stop on interruption of the protective field in a segment of the work cycle.	X	X	X	X	X	-	-	X
Stoppage of muting time limitation Prevents unwanted deactivation in case of material accumulation.	X	X	X	X	X	-	-	-
Override Enables start after unscheduled stop in a muted state (for example, belt standstill)	X	X	X	X	X	-	-	-
Muting with 4 sensors The conveyed material is scanned by 4 sensors.	X	X	X	X	X	-	-	-
Muting with 2 sensors The conveyed material is scanned 2 sensors.	X	X	X	X	X	-	-	X
Delayed end of muting Manipulation-proof muting if conveyed material flow only exits the hazardous zone.	X	X	○	○	○	-	-	-
Immediate end of muting when protective field is cleared again The muted state persists only as long as absolutely necessary	X	X	○	○	○	-	-	-
2-stage output deactivation Output OSSD2 switches off with a delay of 0.5 s. OSSD1 switches off immediately. For safety-critical control drives, e.g. robot safeguarding.	X	X	○	○	○	-	○	-
Emergency-stop circuit monitoring Monitoring of guard doors, emergency-stop switches etc.	-	X	○	○	○	●	-	○
Two-hand start Prevention of inadvertent starting in hazard zones, e.g. passable press areas.	-	X	○	○	-	●	-	-
External displays for start and protective field status Optional connection	-	X	-	-	○	-	○	○
Cycle control (1 - 4 work cycles, e.g. for insertion operations) Machine control via the operator's work patterns.	-	X	-	-	-	-	-	●

○ Function can be de-selected

● Function **cannot** be de-selected

✕ Function is not necessary

- Function is not available

Hex switch



6.3 6.3 Operating mode with restart interlock (also refer to Chapter 3.2.3)

Table 1

		Muting time limit ⁶	End of muting delay ¹	End of muting with the protective field clear ²	OSSD2 cut off delay ³	Emergency-stop circuit ⁴ (only 2 muting sensors)	Two-hand start ⁵ (only 2 muting sensors)	Corresponding connection diagrams	
		Obs. Chapters 3.1.3 and 4.1!	Obs. Chapters 3.1.9, 3.1.11 and 4.2!	Obs. Chapters 3.1.10 and 3.1.11!	Obs. Chapter 3.2.1!	Obs. Chapter 3.2.2!	Obs. Chapter 3.2.5!		
12 34		Without contactor control (observe Chapter 3.2.6)						Must	Option
00 00	● (1 - 253s / 1h)	-	-	-	-	-	-	2, 12	6, 7, 8
00 11	● (1 - 253s / 1h)	-	-	-	-	● (only PLSG3)	-	2, 4, 12	7, 8
00 22	● (1 - 253s / 1h)	-	-	-	●	-	-	2, 5, 12	6, 7, 8
00 33	● (1 - 253s / 1h)	-	-	-	-	-	● (only PLSG3)	3, 12	7, 8
00 44	-	-	-	●	-	-	-	2, 12	6, 7, 8
00 55	-	-	-	●	-	● (only PLSG3)	-	2, 4, 12	7, 8
00 66	-	-	-	●	●	-	-	2, 5, 12	6, 7, 8
00 77	-	-	-	●	-	-	● (only PLSG3)	3, 12	7, 8
00 88	● (1 - 253s / 1h)	● (0 - 30s)	-	-	-	-	-	2, 12	6, 7, 8
00 99	● (1 - 253s / 1h)	● (0 - 30s)	-	-	-	● (only PLSG3)	-	2, 4, 12	7, 8
00 AA	● (1 - 253s / 1h)	● (0 - 30s)	-	-	●	-	-	2, 5, 12	6, 7, 8
00 BB	● (1 - 253s / 1h)	● (0 - 30s)	-	-	-	-	● (only PLSG3)	3, 12	7, 8
00 CC	-	-	● (0 - 195s)	●	-	-	-	2, 12	6, 7, 8
00 DD	-	-	● (0 - 195s)	●	-	● (only PLSG3)	-	2, 4, 12	7, 8
00 EE	-	-	● (0 - 195s)	●	●	-	-	2, 5, 12	6, 7, 8
00 FF	-	-	● (0 - 195s)	●	-	-	● (only PLSG3)	3, 12	7, 8
12 34		With contactor control (observe Chapter 3.2.6)						Must	Option
88 00	● (1 - 253s / 1h)	-	-	-	-	-	-	1, 2, 12	6, 7, 8
88 11	● (1 - 253s / 1h)	-	-	-	-	● (only PLSG3)	-	1, 2, 4, 12	7, 8
88 22	● (1 - 253s / 1h)	-	-	-	●	-	-	1, 2, 5, 12	6, 7, 8
88 33	● (1 - 253s / 1h)	-	-	-	-	-	● (only PLSG3)	1, 3, 12	7, 8
88 44	-	-	-	●	-	-	-	1, 2, 12	6, 7, 8
88 55	-	-	-	●	-	● (only PLSG3)	-	1, 2, 4, 12	7, 8
88 66	-	-	-	●	●	-	-	1, 2, 5, 12	6, 7, 8
88 77	-	-	-	●	-	-	● (only PLSG3)	1, 3, 12	7, 8
88 88	● (1 - 253s / 1h)	● (0 - 30s)	-	-	-	-	-	1, 2, 12	6, 7, 8
88 99	● (1 - 253s / 1h)	● (0 - 30s)	-	-	-	● (only PLSG3)	-	1, 2, 4, 12	7, 8
88 AA	● (1 - 253s / 1h)	● (0 - 30s)	-	-	●	-	-	1, 2, 5, 12	6, 7, 8
88 BB	● (1 - 253s / 1h)	● (0 - 30s)	-	-	-	-	● (only PLSG3)	1, 3, 12	7, 8
88 CC	-	-	● (0 - 195s)	●	-	-	-	1, 2, 12	6, 7, 8
88 DD	-	-	● (0 - 195s)	●	-	● (only PLSG3)	-	1, 2, 4, 12	7, 8
88 EE	-	-	● (0 - 195s)	●	●	-	-	1, 2, 5, 12	6, 7, 8
88 FF	-	-	● (0 - 195s)	●	-	-	● (only PLSG3)	1, 3, 12	7, 8

1 After deactivation of the muting sensors, the muted state persists until the muting termination delay is over.

2 respective of the muting sensors' states, the muted state is ended as soon as the xLVT releases its OSSDs again; renewed muting is only possible once all muting sensors have been deactivated.

3 OSSD2 cuts out with a delay of approximately 0.5 s.

4 A two-channel emergency-stop circuit with a normally closed function is monitored at 1A and 2A; 1B and 2B are available for connecting 2 muting sensors.

5 If the restart interlock is active, the OSSDs can only be released again through simultaneous actuation of a NO contact at 1A and a NC contact at 2A.

6 The muting time limiter sets the muting time to an adjustable value between 1 s and 253 s, or to a value of 1 hour.

Hex switch



6.4 Operating mode without restart interlock (observe Chapter 323)

Table 2

		Muting time limit ⁶	End of muting delay ¹	End of muting with the protective field clear ²	OSSD2 cut off delay ³	Emergency-stop circuit ⁴ (only 2 muting sensors)	Corresponding connection diagrams	
		Observe Chapters 3.1.3 & 4.1	Observe Chapters 3.1.9, 3.1.11 & 4.2	Observe Chapters 3.1.10 & 3.1.11	Observe Chapter 3.2.1	Observe Chapter 3.2.2		
12 34	<u>Without</u> contactor control (observe Chapter 3.2.6)						Must	Option
33 00	● (1 - 253s / 1h)	-	-	-	-	-	12	2, 6, 7, 8
33 11	● (1 - 253s / 1h)	-	-	-	-	● (only PLSG3)	4, 12	2, 7, 8
33 22	● (1 - 253s / 1h)	-	-	-	●	-	5, 12	2, 6, 7, 8
33 33	● (1 - 253s / 1h)	-	-	-	●	● (only PLSG3)	4, 5, 12	2, 7, 8
33 44	-	-	●	-	-	-	12	2, 6, 7, 8
33 55	-	-	●	-	-	● (only PLSG3)	4, 12	2, 7, 8
33 66	-	-	●	●	-	-	5, 12	2, 6, 7, 8
33 77	-	-	●	●	●	-	4, 5, 12	2, 7, 8
33 88	● (1 - 253s / 1h)	● (0 - 30s)	-	-	-	-	12	2, 6, 7, 8
33 99	● (1 - 253s / 1h)	● (0 - 30s)	-	-	-	● (only PLSG3)	4, 12	2, 7, 8
33 AA	● (1 - 253s / 1h)	● (0 - 30s)	-	●	-	-	5, 12	2, 6, 7, 8
33 BB	● (1 - 253s / 1h)	● (0 - 30s)	-	●	●	● (only PLSG3)	4, 5, 12	2, 7, 8
33 CC	-	● (0 - 195s)	●	-	-	-	12	2, 6, 7, 8
33 DD	-	● (0 - 195s)	●	-	-	● (only PLSG3)	4, 12	2, 7, 8
33 EE	-	● (0 - 195s)	●	●	●	-	5, 12	2, 6, 7, 8
33 FF	-	● (0 - 195s)	●	●	●	● (only PLSG3)	4, 5, 12	2, 7, 8
12 34	<u>With</u> contactor control (observe Chapter 3.2.6)						Must	Option
BB 00	● (1 - 253s / 1h)	-	-	-	-	-	1, 12	2, 6, 7, 8
BB 11	● (1 - 253s / 1h)	-	-	-	-	● (only PLSG3)	1, 4, 12	2, 7, 8
BB 22	● (1 - 253s / 1h)	-	-	-	●	-	1, 5, 12	2, 6, 7, 8
BB 33	● (1 - 253s / 1h)	-	-	-	●	● (only PLSG3)	1, 4, 5, 12	2, 7, 8
BB 44	-	-	●	-	-	-	1, 12	2, 6, 7, 8
BB 55	-	-	●	-	-	● (only PLSG3)	1, 4, 12	2, 7, 8
BB 66	-	-	●	●	-	-	1, 5, 12	2, 6, 7, 8
BB 77	-	-	●	●	●	● (only PLSG3)	1, 4, 5, 12	2, 7, 8
BB 88	● (1 - 253s / 1h)	● (0 - 30s)	-	-	-	-	1, 12	2, 6, 7, 8
BB 99	● (1 - 253s / 1h)	● (0 - 30s)	-	-	-	● (only PLSG3)	1, 4, 12	2, 7, 8
BB AA	● (1 - 253s / 1h)	● (0 - 30s)	-	●	-	-	1, 5, 12	2, 6, 7, 8
BB BB	● (1 - 253s / 1h)	● (0 - 30s)	-	●	●	● (only PLSG3)	1, 4, 5, 12	2, 7, 8
BB CC	-	● (0 - 195s)	●	-	-	-	1, 12	2, 6, 7, 8
BB DD	-	● (0 - 195s)	●	-	-	● (only PLSG3)	1, 4, 12	2, 7, 8
BB EE	-	● (0 - 195s)	●	●	●	-	1, 5, 12	2, 6, 7, 8
BB FF	-	● (0 - 195s)	●	●	●	● (only PLSG3)	1, 4, 5, 12	2, 7, 8

1 After deactivation of one or more sensors required for invoking the muted state, this state persists until the muting termination delay is over.

2 Irrespective of the muting sensors' states, the muted state is ended as soon as the XLVT releases its OSSDs again; renewed muting is only possible once all muting sensors have been deactivated.

3 OSSD2 cuts out with a delay of approximately 0.5 s.

4 A two-channel emergency-stop circuit with a normally closed function is monitored at 1A and 2A; 1B and 2B are available for connecting muting sensors.

6 The muting time limiter sets the muting time to an adjustable value between 1 s and 253 s, or to a value of 1 hour.



6.5 Operating mode with restart interlock only during hazardous operations (observe Chapter 3.3.1)
with contactor control (observe Chapter 3.2.6) **not selected for the Type...R** **Table 3**

	Muting time limit ⁶	End of muting delay ¹	End of muting with the protective field clear ²	OSSD2 cut off delay ³	Emergency-stop circuit ⁴ (only 2 muting sensors)	External displays ⁵ for start & protective field status	Corresponding connection diagrams	
							connection diagram 17 see on page 10	
12 34	Observe Chapters 3.1.3 & 4.1	Observe Chapters 3.1.9, 3.1.11 & 4.2	Observe Chapters 3.1.10 & 3.1.11	Observe Chapter 3.2.1	Observe Chapter 3.2.2		Must	Option
DD 00	● (1 - 253s / 1h)	-	-	-	-	●	2, 12, 17	7, 8, 9
DD 11	● (1 - 253s / 1h)	-	-	-	● (only PLSG3)	-	2, 4, 12,17	7, 8
DD 22	● (1 - 253s / 1h)	-	-	●	-	●	2, 5,12,17	7, 8,9
DD 33	● (1 - 253s / 1h)	-	-	●	● (only PLSG3)	-	2,4,5,12,17	7, 8
DD 44	-	-	●	-	-	●	2, 12, 17	7, 8, 9
DD 55	-	-	●	-	● (only PLSG3)	-	2, 4, 12,17	7, 8
DD 66	-	-	●	●	-	●	2, 5,12,17	7, 8,9
DD 77	-	-	●	●	● (only PLSG3)	-	2,4,5,12,17	7, 8
DD 88	● (1 - 253s / 1h)	● (0 - 30s)	-	-	-	●	2, 12, 17	7, 8, 9
DD 99	● (1 - 253s / 1h)	● (0 - 30s)	-	-	● (only PLSG3)	-	2, 4, 12,17	7, 8
DD AA	● (1 - 253s / 1h)	● (0 - 30s)	-	●	-	●	2, 5,12,17	7, 8,9
DD BB	● (1 - 253s / 1h)	● (0 - 30s)	-	●	● (only PLSG3)	-	2,4,5,12,17	7, 8
DD CC	-	● (0 - 195s)	●	-	-	●	2, 12, 17	7, 8, 9
DD DD	-	● (0 - 195s)	●	-	● (only PLSG3)	-	2, 4, 12,17	7, 8
DD EE	-	● (0 - 195s)	●	●	-	●	2, 5,12,17	7, 8,9
DD FF	-	● (0 - 195s)	●	●	● (only PLSG3)	-	2,4,5,12,17	7, 8




6.6 Operating mode Without muting functions **Table 4**
With restart interlock (two-hand start), emergency-stop circuit monitoring
With / without contactor control (observe Chapter 3.2.6)

	Contactor control	Emergency-stop circuit ⁴ (only 2 muting sensors)	Two-hand start ⁷ (only 2 muting sensors)	Corresponding connection diagrams
12 34	Observe Chapter 3.2.6	Observe Chapter 3.2.2	Observe Chapter 3.2.5	Must
77 00	-	●	●	11, 12
FF 00	●	●	●	1, 11, 12

- 1 After deactivation of one or more sensors required for invoking the muted state, this state persists until the muting termination delay is over.
- 2 Irrespective of the muting sensors' states, the muted state is ended as soon as the XLVT releases its OSSDs again; renewed muting is only possible once all muting sensors have been deactivated.
- 3 OSSD2 cuts out with a delay of approximately 0.5 s.
- 4 A two-channel emergency-stop circuit with a normally closed function is monitored at 1A and 2A; 1B and 2B are available for connecting muting sensors.
- 5 Terminals 1A and 2A can be used for connecting external indicators of the protective field's state and starting units; refer to connection diagram 9.
- 6 The muting time limiter sets the muting time to an adjustable value between 1 s and 253 s, or to a value of 1 hour.
- 7 If the restart interlock is active, the OSSDs can only be released again through simultaneous actuation of a NO contact at 1B and a NC contact at 2B.

Table5

 Hex switch **6.7 Operating mode without muting functions / with restart interlock** (observe Chapter 3.2.3)

3 1	4 2		OSSD2 cut off delay ¹	External displays ² for start & protective field status	Corresponding connection diagrams	
			Observe Chapter 3.2.1		Must	Option
12 34			Without contactor control (observe Chapter 3.2.6)		Must	Option
44 00	-	●		2,12	9	
44 11	-	●		2,12	9	
44 22	-	●		2,12	9	
44 33	-	●		2,12	9	
44 44	-	●		2,12	9	
44 55	-	●		2,12	9	
44 66	-	●		2,12	9	
44 77	-	●		2,12	9	
44 88	●	●		2, 5,12	9	
44 99	●	●		2, 5,12	9	
44 AA	●	●		2, 5,12	9	
44 BB	●	●		2, 5,12	9	
44 CC	●	●		2, 5,12	9	
44 DD	●	●		2, 5,12	9	
44 EE	●	●		2, 5,12	9	
44 FF	●	●		2, 5,12	9	
12 34			With contactor control (observe Chapter 3.2.6)	Must	Option	
CC 00	-	●		1, 2,12	9	
CC 11	-	●		1, 2,12	9	
CC 22	-	●		1, 2,12	9	
CC 33	-	●		1, 2,12	9	
CC 44	-	●		1, 2,12	9	
CC 55	-	●		1, 2,12	9	
CC 66	-	●		1, 2,12	9	
CC 77	-	●		1, 2,12	9	
CC 88	●	●		1, 2, 5,12	9	
CC 99	●	●		1, 2, 5,12	9	
CC AA	●	●		1, 2, 5,12	9	
CC BB	●	●		1, 2, 5,12	9	
CC CC	●	●		1, 2, 5,12	9	
CC DD	●	●		1, 2, 5,12	9	
CC EE	●	●		1, 2, 5,12	9	
CC FF	●	●		1, 2, 5,12	9	

1 OSSD2 cuts out with a delay of approximately 0.5 s.

2 Terminals 1A and 2A can be used for connecting external indicators of the protective field's state and starting units; refer to connection diagram 9.

6.8 Cycle control for insertion operations (cyclic infiltration of the protective field controls machine operations **With restart interlock** (observe Chapter 3.2.3) **Table 6**

Hex switch



		Muting time limit ⁶	Emergency-stop circuit ¹	Cycle time monitoring ²	Cycle count ³ (work cycles)	External displays ⁵ for start & protective field status	Corresponding connection diagrams	
		Observe Chapters 3.1.3 & 4.1	Observe Chapter 3.2.2	Observe Chapter 3.3.2	Observe Chapter 3.3.2			
12 34	Without contactor control (observe Chapter 3.2.6)						Must	Option
66 00	● (1 - 253s / 1h)	-	30 s	1 Cycle	●	2, 10, 12	7, 9	
66 11	● (1 - 253s / 1h)	-	30 s	2 Cycle	●	2, 10, 12	7, 9	
66 22	● (1 - 253s / 1h)	-	30 s	3 Cycle	●	2, 10, 12	7, 9	
66 33	● (1 - 253s / 1h)	-	30 s	4 Cycle	●	2, 10, 12	7, 9	
66 44	● (1 - 253s / 1h)	-	120 s	1 Cycle	●	2, 10, 12	7, 9	
66 55	● (1 - 253s / 1h)	-	120 s	2 Cycle	●	2, 10, 12	7, 9	
66 66	● (1 - 253s / 1h)	-	120 s	3 Cycle	●	2, 10, 12	7, 9	
66 77	● (1 - 253s / 1h)	-	120 s	4 Cycle	●	2, 10, 12	7, 9	
66 88	● (1 - 253s / 1h)	●	30 s	1 Cycle	-	2, 4,10,12	7	
66 99	● (1 - 253s / 1h)	●	30 s	2 Cycle	-	2, 4,10,12	7	
66 AA	● (1 - 253s / 1h)	●	30 s	3 Cycle	-	2, 4,10,12	7	
66 BB	● (1 - 253s / 1h)	●	30 s	4 Cycle	-	2, 4,10,12	7	
66 CC	● (1 - 253s / 1h)	●	120 s	1 Cycle	-	2, 4,10,12	7	
66 DD	● (1 - 253s / 1h)	●	120 s	2 Cycle	-	2, 4,10,12	7	
66 EE	● (1 - 253s / 1h)	●	120 s	3 Cycle	-	2, 4,10,12	7	
66 FF	● (1 - 253s / 1h)	●	120 s	4 Cycle	-	2, 4,10,12	7	
12 34	With contactor control (observe Chapter 3.2.6)						Must	Option
EE 00	● (1 - 253s / 1h)	-	30 s	1 Cycle	●	1, 2, 10, 12	7, 9	
EE 11	● (1 - 253s / 1h)	-	30 s	2 Cycle	●	1, 2, 10, 12	7, 9	
EE 22	● (1 - 253s / 1h)	-	30 s	3 Cycle	●	1, 2, 10, 12	7, 9	
EE 33	● (1 - 253s / 1h)	-	30 s	4 Cycle	●	1, 2, 10, 12	7, 9	
EE 44	● (1 - 253s / 1h)	-	120 s	1 Cycle	●	1, 2, 10, 12	7, 9	
EE 55	● (1 - 253s / 1h)	-	120 s	2 Cycle	●	1, 2, 10, 12	7, 9	
EE 66	● (1 - 253s / 1h)	-	120 s	3 Cycle	●	1, 2, 10, 12	7, 9	
EE 77	● (1 - 253s / 1h)	-	120 s	4 Cycle	●	1, 2, 10, 12	7, 9	
EE 88	● (1 - 253s / 1h)	●	30 s	1 Cycle	-	1,2, 4,10,12	7	
EE 99	● (1 - 253s / 1h)	●	30 s	2 Cycle	-	1,2, 4,10,12	7	
EE AA	● (1 - 253s / 1h)	●	30 s	3 Cycle	-	1,2, 4,10,12	7	
EE BB	● (1 - 253s / 1h)	●	30 s	4 Cycle	-	1,2, 4,10,12	7	
EE CC	● (1 - 253s / 1h)	●	120 s	1 Cycle	-	1,2, 4,10,12	7	
EE DD	● (1 - 253s / 1h)	●	120 s	2 Cycle	-	1,2, 4,10,12	7	
EE EE	● (1 - 253s / 1h)	●	120 s	3 Cycle	-	1,2, 4,10,12	7	
EE FF	● (1 - 253s / 1h)	●	120 s	4 Cycle	-	1,2, 4,10,12	7	

- 1 A two-channel emergency-stop circuit with a normally closed function is monitored at 1A and 2A; 1B and 2B are available for connecting muting sensors.
- 2 If the protective field is not interrupted over this period, the outputs can only be released if the field is interrupted the correct number of times followed by actuation of the start button. The time between the individual interruptions and actuation of the start button must not exceed the monitoring time.
- 3 Number of times the protective field is interrupted and cleared prior to release of the outputs.
- 5 Terminals 1A and 2A can be used for connecting external indicators of the protective field's state and starting units; refer to connection diagram 9.
- 6 The muting time limiter sets the muting time to an adjustable value between 1 s and 253 s, or to a value of 1 hour.

7.1 Selection of required connection diagrams

PLSG1K

Connection plan #		Functions
Must	Option	Must: Always connect / Option: Connect depending on the application
1		Contactor control (EDM)
2		Restart interlock (start button connection); the start button can also be used for override.
12		Light grid connection
	6	4 muting sensors / muting lamp (needed for applications with 4 muting sensors)
	7	2 muting sensors / muting lamp (needed for applications with 2 muting sensors)
	8	Stoppage of muting time limitation Only necessary for preventing inadvertent deactivation, for example, in case of material accumulation.

Connection diagram 1 does not apply to **Option ...R** (internal safety relay). In this case, connection is made according to connection diagram 13

7.1 Selection of required connection diagrams

PLSG2K / PLSG3K

From the determined **operating mode table**, read the **numbers of the connection diagrams** for the selected mode.

Example:

Excerpt from operating mode table 1 (Page 22)

UU	FF		● (0 - 195s)	●	-	-	● (only PLSG3)	Must	Option
12	34	With contactor control (observe Chapter 3.2.6)							
88	00	● (1 - 253s / 1h)	-	-	-	-	-	1, 2, 12	6, 7, 8
88	11	● (1 - 253s / 1h)	-	-	-	● (only PLSG3)	-	1, 2, 4, 12	7, 8
88	22	● (1 - 253s / 1h)	-	-	●	-	-	1, 2, 5, 12	6, 7, 8
88	33	● (1 - 253s / 1h)	-	-	-	-	● (only PLSG3)	1, 3, 12	7, 8
88	44	-	-	●	-	-	-	1, 2, 12	6, 7, 8
88	55	-	-	●	-	● (only PLSG3)	-	1, 2, 4, 12	7, 8
88	66	-	-	●	●	-	-	1, 2, 5, 12	6, 7, 8
88	77	-	-	●	-	-	● (only PLSG3)	1, 3, 12	7, 8

Hex switch setting : 88 55

Number of required connection diagrams

Example for operating mode 88 55:

Connection plan #		Functions
Must	Option	Must: Always connect / Option: Connect depending on the application
1		Contactor control (EDM)
2		Restart interlock (start button connection); the start button can also be used for override.
4		Emergency-stop switch
12		Light grid
	7	2 muting sensors / muting lamp (needed for applications with 2 muting sensors)
	8	Stoppage of muting time limitation Only necessary for preventing inadvertent deactivation, for example, in case of material accumulation.

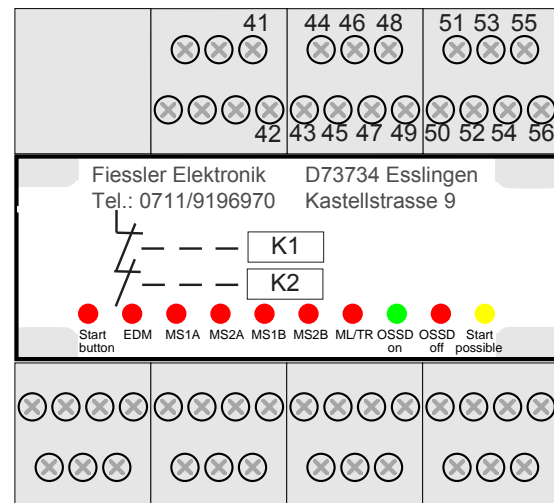
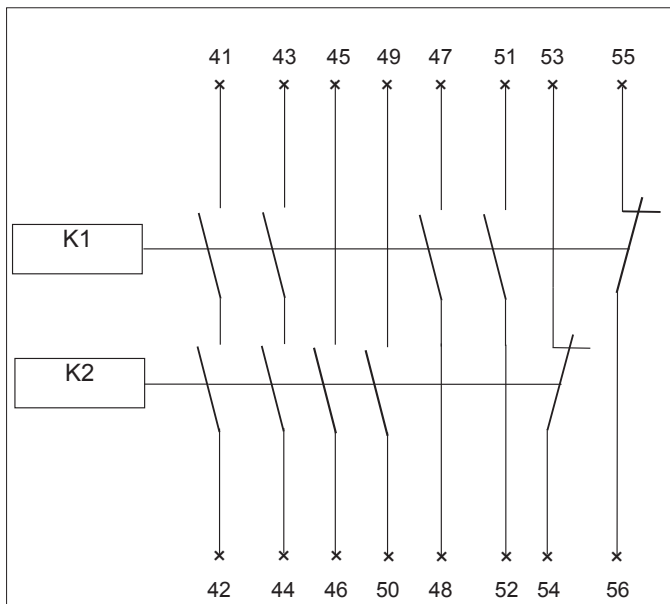
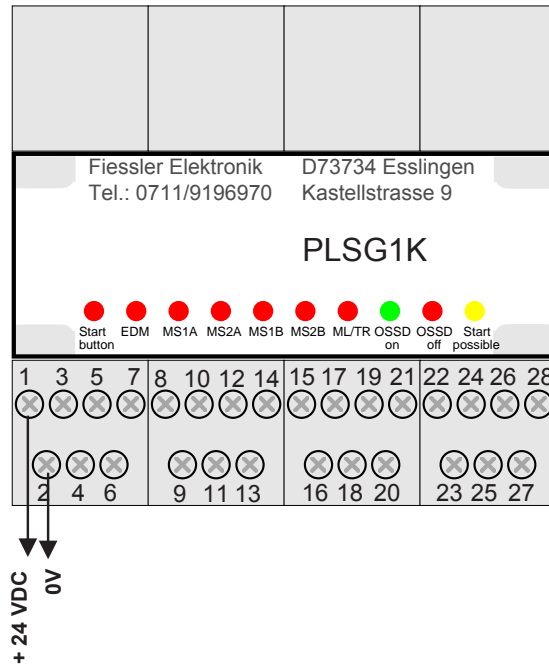
Connection diagram 1 does not apply to **Option ...R** (internal safety relay). In this case, connection is made according to connection diagram 13

In the case of **Option ...S** (serial interface): Connection diagram 14

In the case of **Option ...P** (light-grid beam blanking, switchover between operating modes with a selector switch): Connection diagram 15 or 16

PLSG1K / PLSG2K / PLSG3K

1: 24 VDC +-20%	15: MS1B +
2: 0V	16: MS1B -
3: OSSD1	17: MS1B Input
4: OSSD2	18: ML2 + (optional)
5: Start	19: MS2B +
6: EDM	20: MS2B -
7: OSSD3	21: MS2B Input
8: MS1A +	22: TR
9: MS1A -	23: +24 V Lightcurtain
10: MS1A Input	24: 0V Lightcurtain
11: ML1 +	25: -
12: MS2A +	26: OSSD1 Lightcurtain
13: MS2A -	27: OSSD2 Lightcurtain
14: MS2A Input	28: Programming line for BLVT/ILVT - BLCT/ILCT



Option ...R

- 41-42: NO contact K1 in series with NO contact K2
- 43-44: NO contact K1 in series with NO contact K2
- 45-46: NO contact K2
- 47-48: NO contact K1
- 49-50: NO contact K2
- 51-52: NO contact K1
- 53-54: NC contact K2
- 55-56: NC contact K1



IMPORTANT:

Safe operation is ensured only if the PLSG...K has been connected according to the wiring diagrams and all relevant installation instructions have been observed. Electrical connections must only be established with the system in the de-energized state.

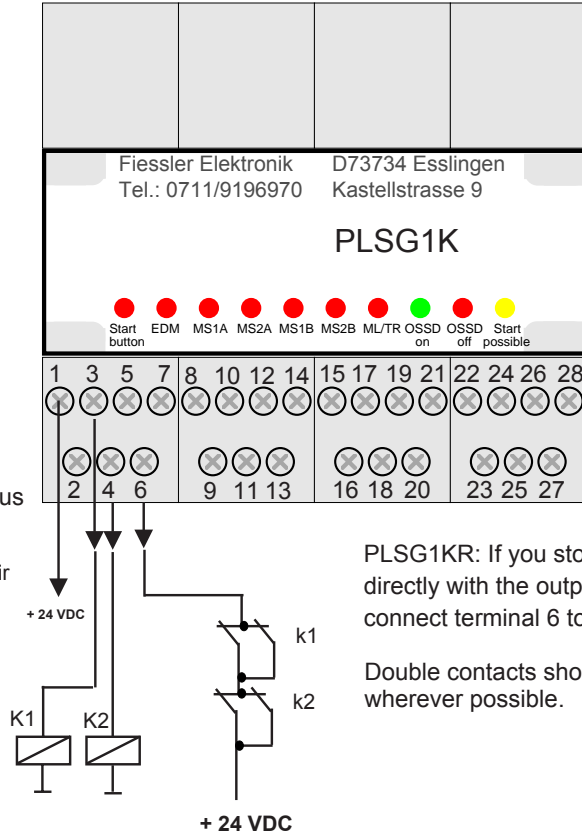
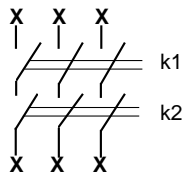
7.2.1 Control of external contactors and valves (EDM)

Connection diagram 1

PLSG1K	Always
PLSG2K	acc. to oper. mode
PLSG3K	acc. to oper. mode

- 1: + 24 VDC
- 2: 0V
- 3: OSSD1
- 4: OSSD2
- 6: EDM

X: To interrupt hazardous movement.
To commence closure by contactors K1 and K2, their NO-contacts must be connected in series.



PLSG1KR: If you stop the dangerous movement directly with the outputs 3 and 4 you have to connect terminal 6 to 24V DC

Double contacts should be employed wherever possible.

7.2.2 a) Restart interlock (connection of a start button for resetting restart interlock)
b) Override after unscheduled stop during muting

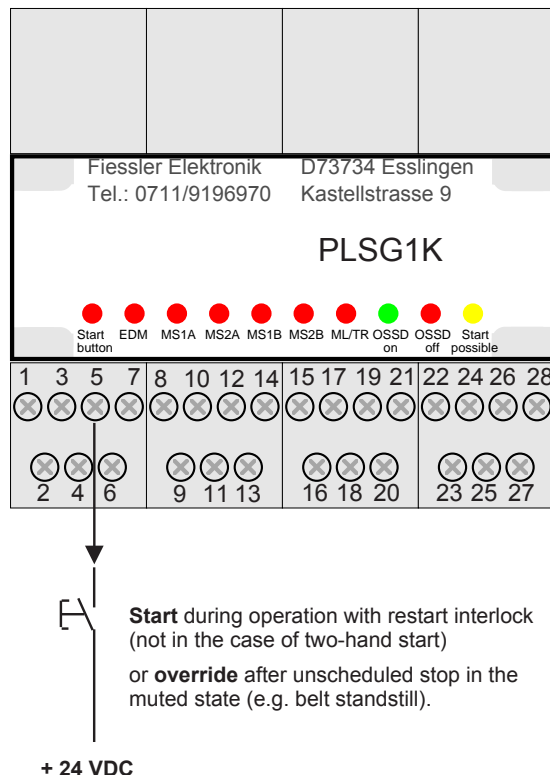
Connection diagram 2

PLSG1K	Always
PLSG2K	acc. to oper. mode
PLSG3K	and application

- 5: Start



Start enabling button

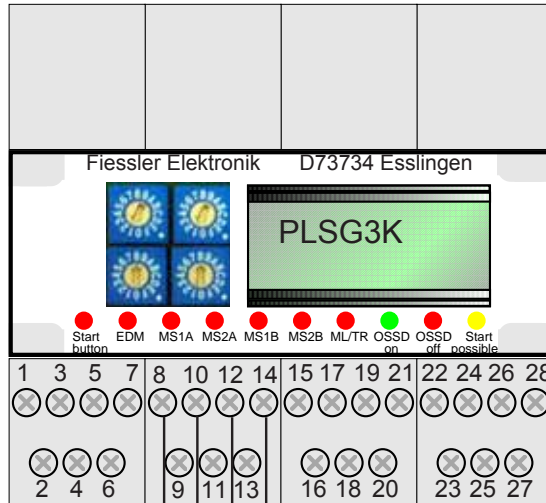


Start during operation with restart interlock (not in the case of two-hand start) or **override** after unscheduled stop in the muted state (e.g. belt standstill).

7.2.3 Two-hand start in the muting mode with restart interlock

Connection diagram 3

PLSG3K In the case of muting modes 00xx and 88xx if the function has been selected.



- 8: MS1A +
- 10: MS1A Input
- 12: MS2A +
- 14: MS2A Input



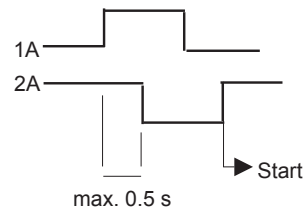
Two-hand start enable



Two-hand start

Only 2 muting sensors can still be connected to 1B and 2B.

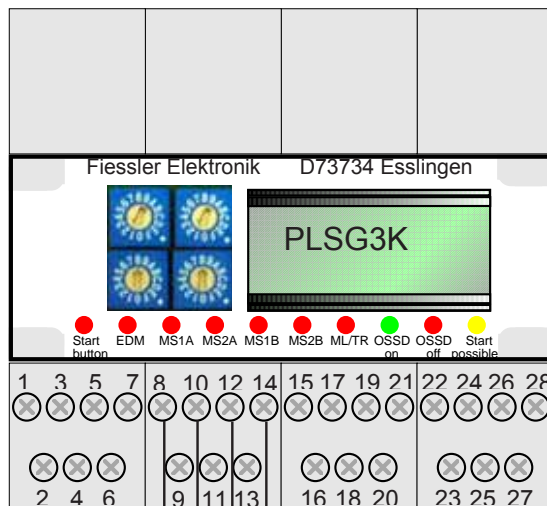
Monitoring of simultaneous operation



7.2.4 Emergency-stop circuit in muting modes

Connection diagram 4

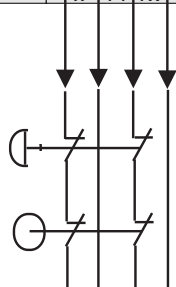
PLSG3K bei allen Mutingbetriebsarten wenn Funktion angewählt ist.



- 8: MS1A +
- 10: MS1A Input
- 12: MS2A +
- 14: MS2A Input



Safety limit switch for protective doors / grids



Emergency-stop circuit



Emergency-stop

Only 2 muting sensors can still be connected to 1B and 2B.

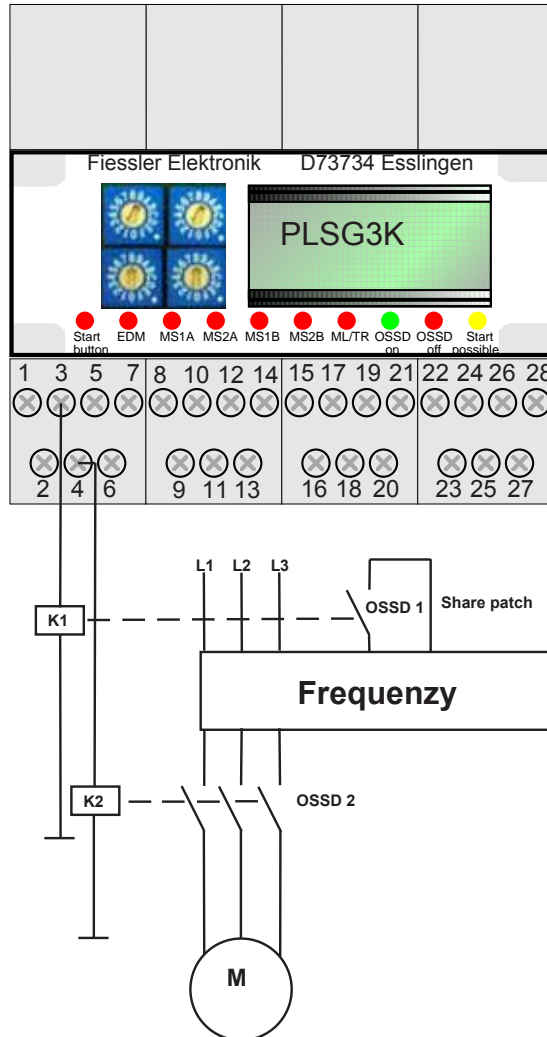
2-channel emergency-stop circuit with NC function; monitoring of short-circuits and cross-connections

7.2.5 Two-stage deactivation of outputs (OSSD 2 turn-off delay)

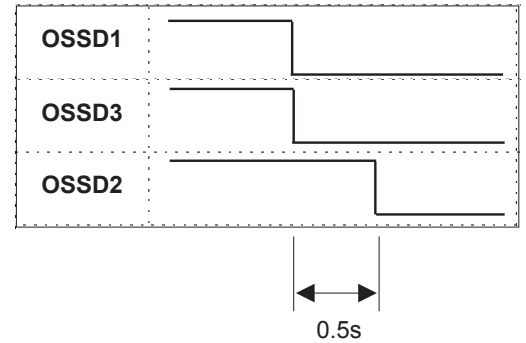
Connection diagram 5

(e.g. for robot safeguarding). For all applications in which hazardous movement must be brought to a controlled stop and the control system is not fail-safe. If the control system fails, the OSSD2 shuts down the drive after a delay of 0.5 s.

- 1: + 24V DC
- 2: 0V
- 3: OSSD1
- 4: OSSD2
- 7: OSSD3



PLSG2K	acc. to oper. mode
PLSG3K	acc. to oper. mode



IMPORTANT:

Opening of K2 during deactivation of OSSD 2 must be monitored by the machine control or the PLSGK according to wiring diagram 1 (with selection of contactor control via the hex switches).

The maximum response time from interruption of the light curtain to end of the hazardous movement is calculated as follows:

Response time ULVT/BLVT + response time PLSG...K (3.5 ms) + **500ms** + switching time K1 + uncontrolled braking time.

OSSD1 and OSSD2: Fail-safe PNP outputs, max. 0.5 A, monitored for short-circuit and cross-connections.

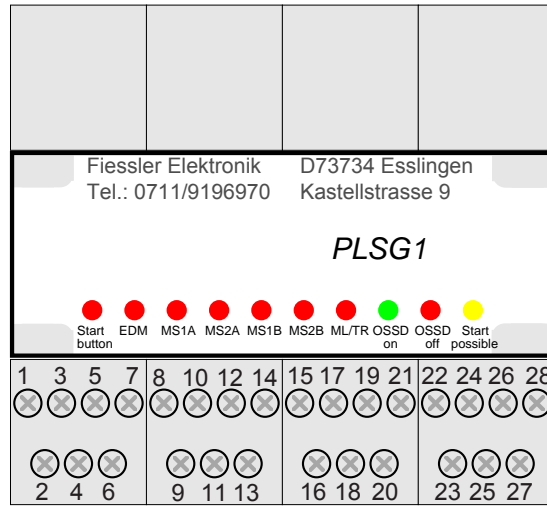
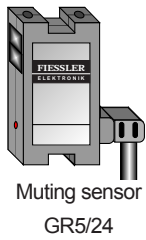
OSSD3 (category 3 only in conjunction with OSSD1 and OSSD2): 2-channel control, PNP output, max. 0.5 A



7.2.6 Muting function with 4 muting sensors / external muting lamp

Connection diagram 6

PLSG1K	acc. to application
PLSG2K	acc. to application
PLSG3K	acc. to application

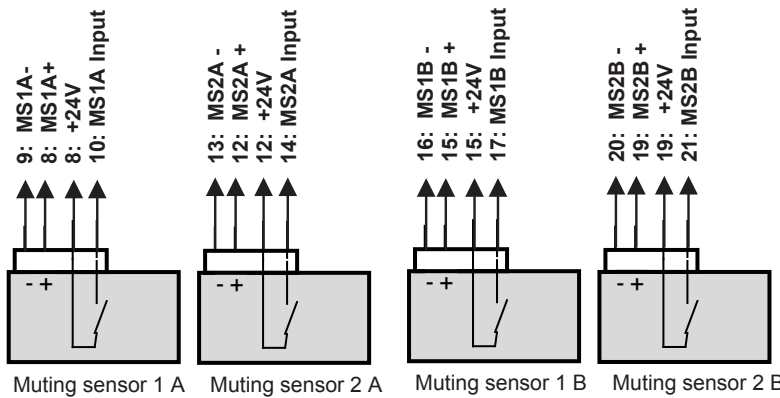


IMPORTANT:

Bypass (muting) remains active as long as contacts / sensors 1 A and 2 A or 2A and 1 B or 1 B and 2 B are conductive, or until the muting time limit has expired.

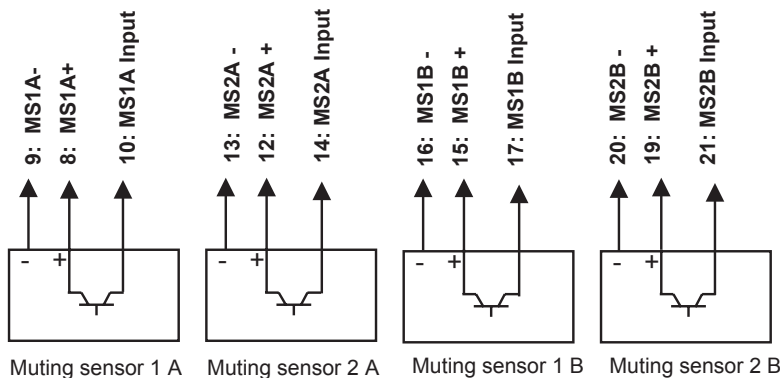
Muting sensors with relay outputs

Contact is conductive in the muted state (dark switching)



Muting sensors with transistor outputs

conductive in the muted state (dark switching)



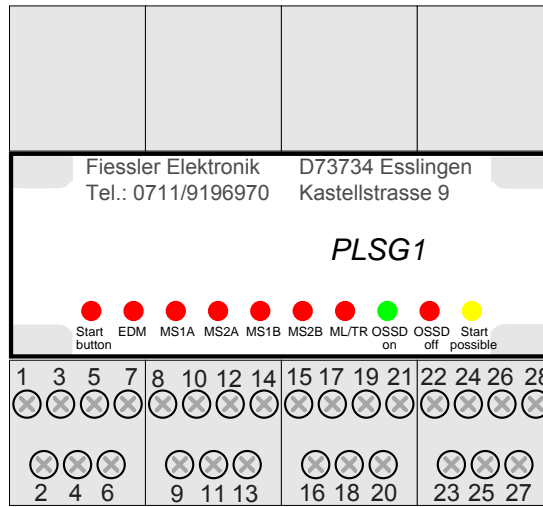
LEDs MS1A, MS2A, MS1B and MS2B

come on when the related muting sensor applies + 24V to pin 10, 14, 17, or 21 (muting request).

7.2.7 Muting function with 2 muting sensors / external muting lamp

Connection diagram 7

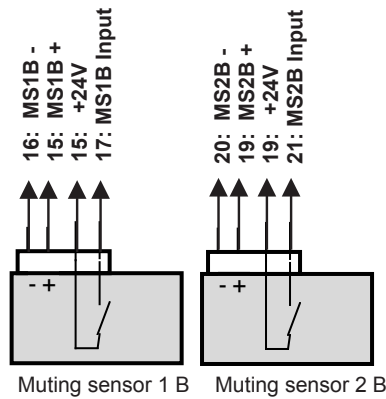
PLSG1K	acc. to application
PLSG2K	acc. to application
PLSG3K	acc. to application



IMPORTANT :
Bypass (muting) remains effective as long as contacts / sensors
1 A and 2 A or
2 A and 1 B or
1 B and 2 B are conductive
or until the muting time limit has expired

Muting sensors with relay outputs

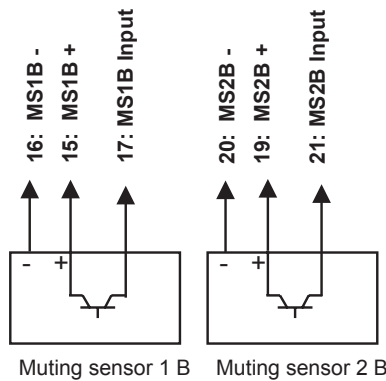
Contact is conductive in the muted state
(dark switching)



External muting lamp 24V, max. 0.5A, at least 50 mA, can be connected optionally

Muting sensors with transistor outputs,

conductive in the muted state
(dark switching)



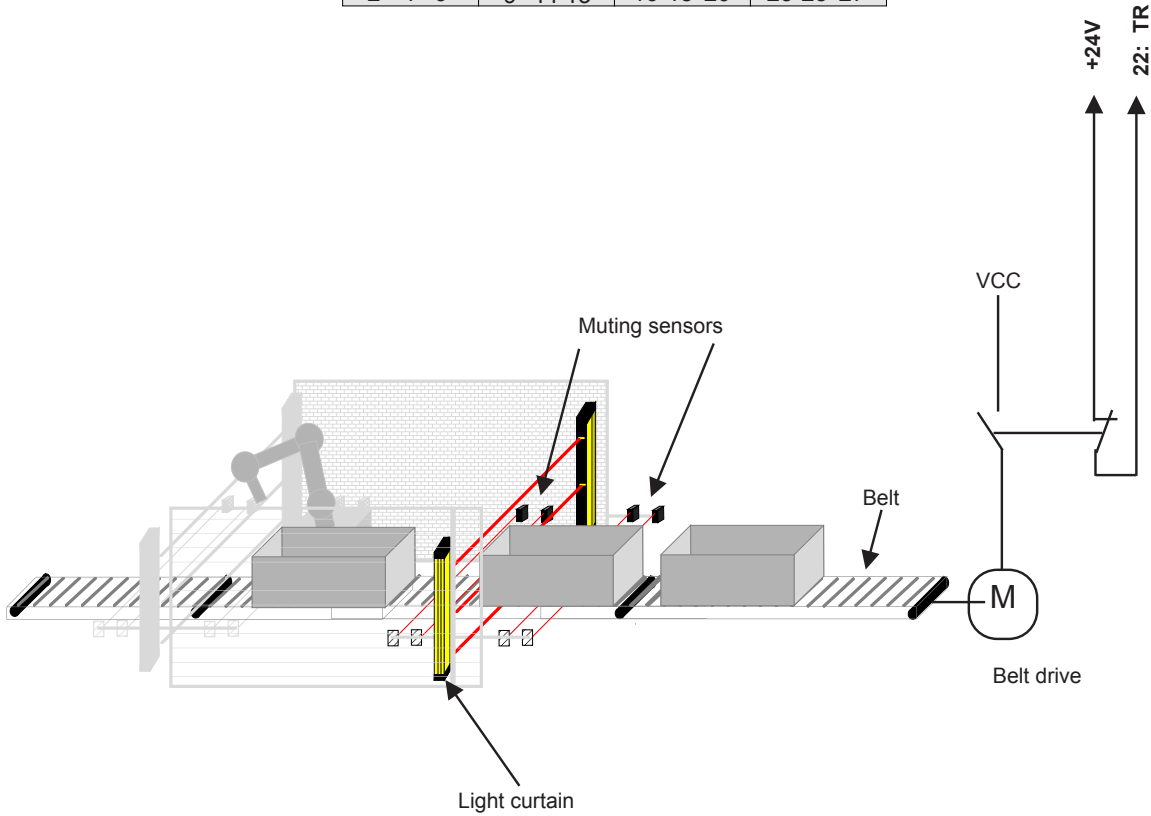
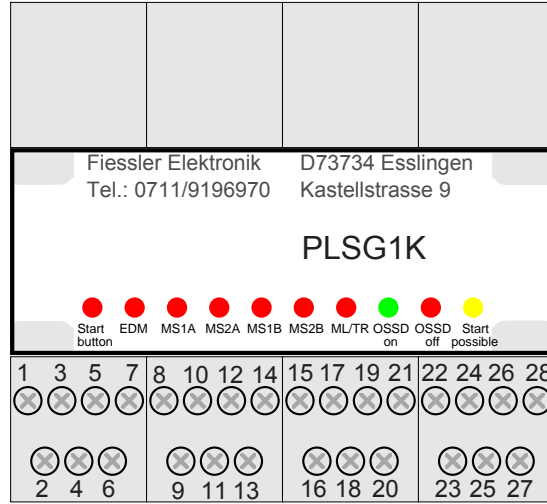
LEDs 1B and 2B

come on when the related muting sensor applies + 24V to pin 17, or 21 (muting request).

7.2.8 Stoppage of muting time limiting, for example, on belt standstill

Connection diagram 8

PLSG1K	acc. to application
PLSG2K	acc. to application
PLSG3K	acc. to application



As soon as the conveyor belt is stopped, so is the muting time limiter.

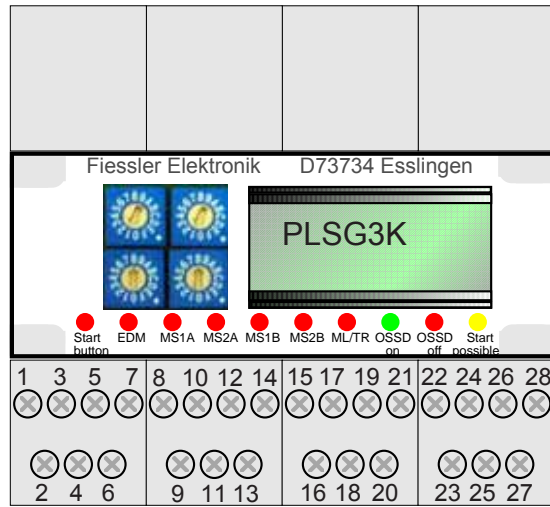
This prevents unwanted stoppage provoked by muting time overflow in the case of material accumulation.

7.2.9 External displays for restart interlock and protective field status

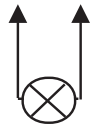
Connection diagram 9

PLSG3K

acc. to oper. mode,
tables 3, 5, 6

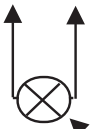


8: MS1A +
0V



Protective field status indicator
comes on when the protective field is clear.

12: MS2A +
0V



Restart interlock indicator
comes on when restart is enabled by actuating the start button.

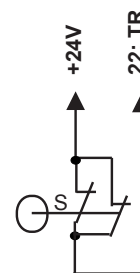
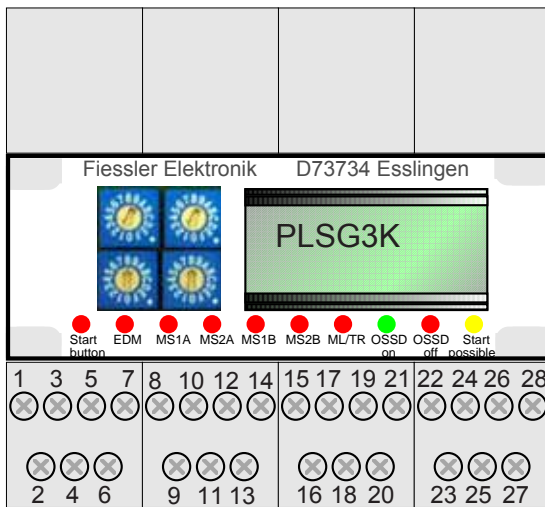
External indicator lamps 24V, max. 0.5A, can be connected optionally.

7.2.10 Cyclic mode (automatic start of work cycles during insertion operations)

Connection diagram 10

PLSG3K

Only in the case of operating modes 66xx and EExx, table 6



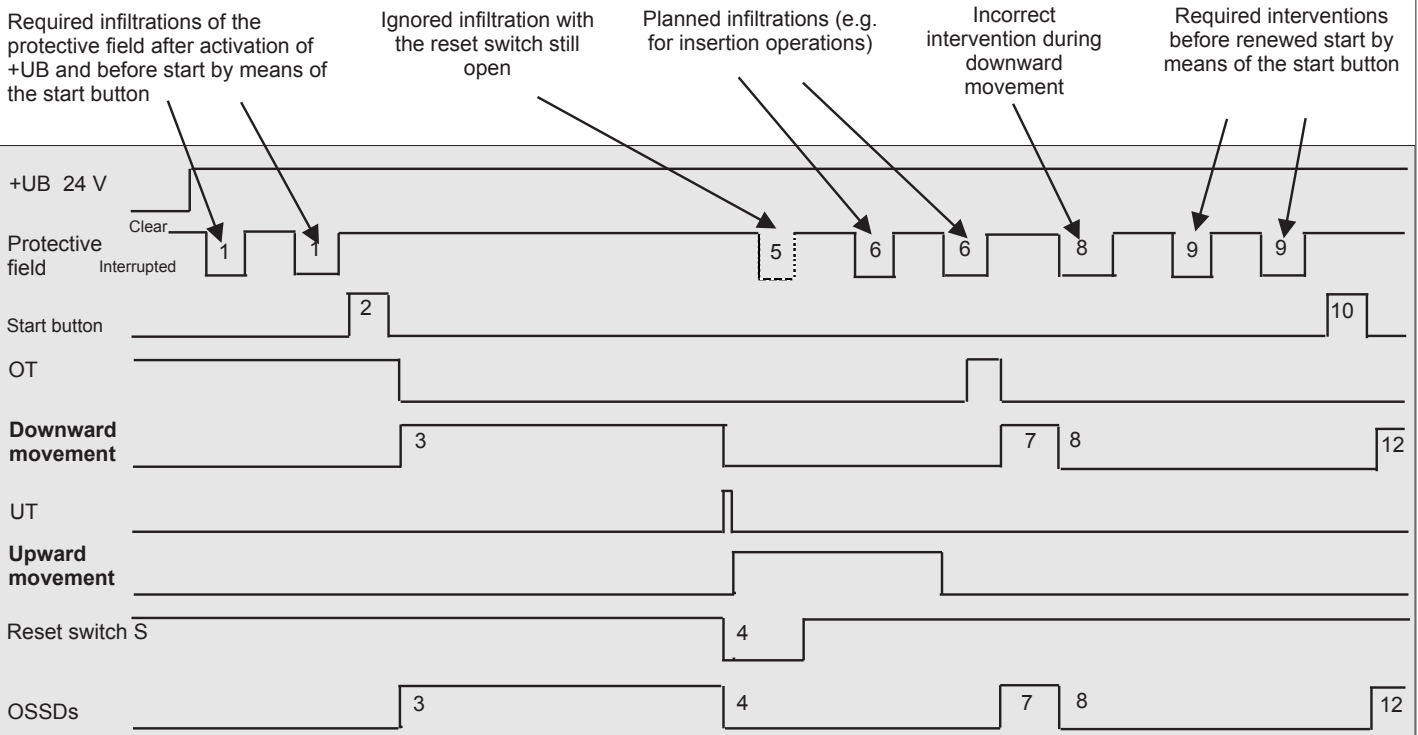
Switch S for cycle count reset. Use double contacts wherever possible to enhance contact reliability.

Example of 2-cycle control on a machine similar to a press brake:

After the safety device is started, the protective field must be infiltrated as many times as necessary for triggering a work movement, i.e. 2 operations (cycles) in this case (refer to 1). After subsequent actuation of the start button (2) with the protective field clear, the OSSDs close and the machine movement is started (3).

At the end of the work movement, the cycle reset switch S opens and the OSSDs open too (4). As long as S remains open (at least 30 ms), any intervention of the protective field (5) does not count as an operation for releasing the work movement. The 2 interventions (6) after the closing of S make the OSSDs close again, therefore starting a new work movement (7).

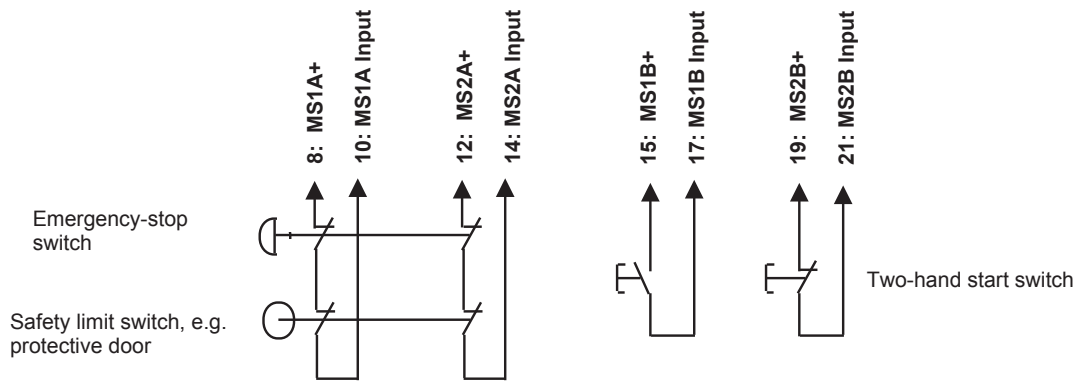
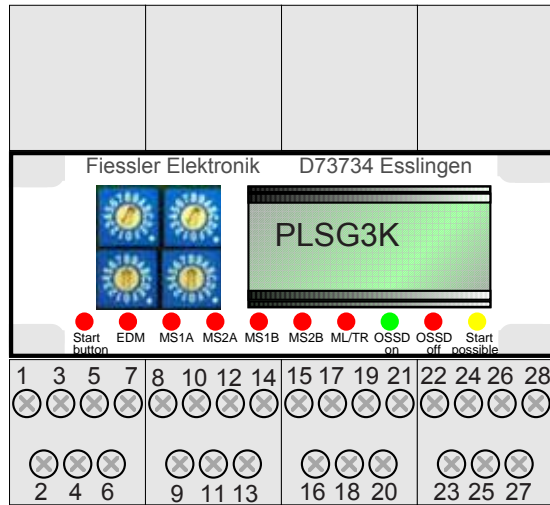
If the protective field is interrupted during hazardous movement (8), the OSSDs open and the work movement is stopped. A new work movement (12) is produced only after 2 more operational interruptions (9) and actuation of the start button (10).



7.2.11 Restart interlock with two-hand start and emergency-stop circuit monitoring / without muting functions

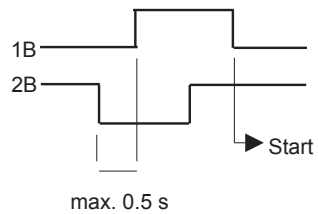
Connection diagram 11

PLSG3K Only in the case of operating modes 7700 and FF00, table 4



2-channel emergency-stop circuit
with NC function;
monitoring of short-circuits
and cross-connections

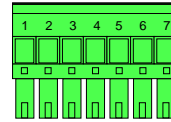
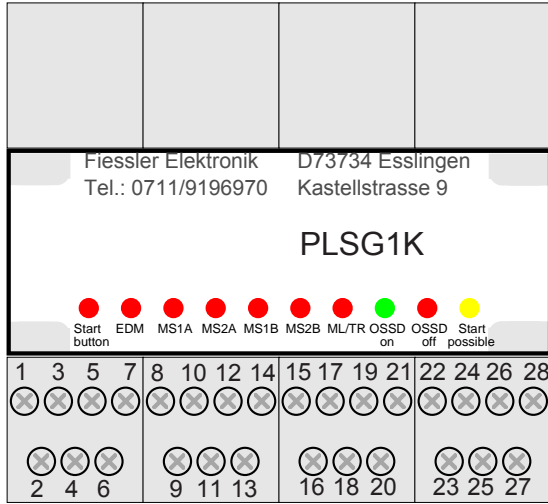
Two-hand start
with monitoring of
simultaneous actuation



7.2.12 Connection of light-grid receiver (types ...LVT / ...LCT)

Connection diagram 12

PLSG1K	Always
PLSG2K	Always
PLSG3K	Always



PLSGK	receiver ULVT / BLVT	receiver TLVT / ILVT	receiver ...LCT
23: +24V xLVT	7	7	2 und 1
24: 0V xLVT	6	6	7
26: OSSD1 xLVT	3	1	5
27: OSSD2 xLVT	4	2	6
28: Program ming line	only with PLSG...K P (2 BLVT)	only with PLSG...K P (2 ILVT)	only with PLSG...K P (4 BLCT/LCT)

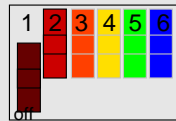
IMPORTANT: (only type ...LVT)

Check the dip switches on the light curtain.

Set the dip switches as follows:

- without restart interlock
- without contactor control
- synchronized outputs

(as illustrated)



IMPORTANT: (only type ...LCT)

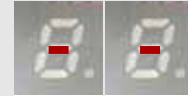
Check the operation mode at the light curtain

the operation mode must be

- without restart interlock
- without contactor control

(see operation manual)

Display during power on:

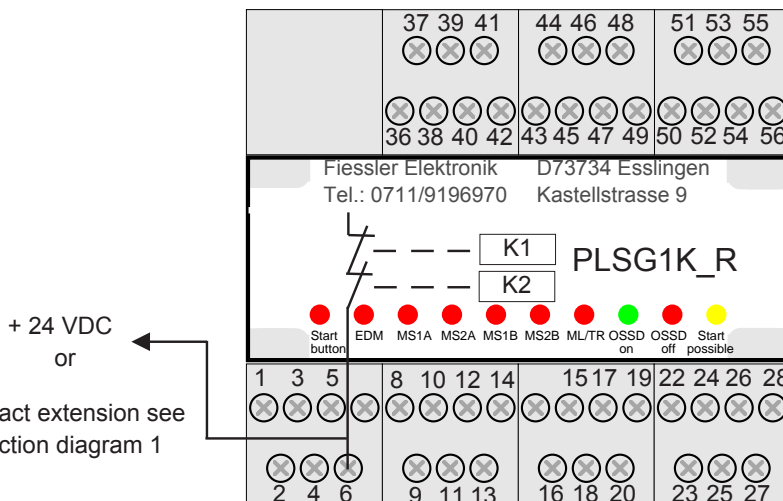
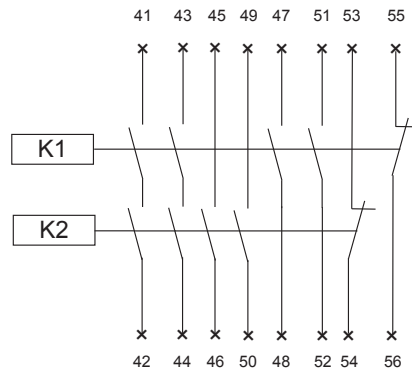


7.2.13 Option ...R: 2 internal safety relays

Connection diagram 13

PLSG1K_R	Always
PLSG2K_R	Always
PLSG3K_R	Always

56-41:
To interrupt hazardous movement



Important!

!!!The integrated safety relays are monitored internally in operating modes with contactor control (EDM).!!!

If the hazardous movement is not interrupted directly with contacts 41 - 56, the subsequent switching elements must be monitored via terminal 6 (EDM) according to connection diagram 1)

Operatingmode restart interlock just during the dangerous movement is not possible!!!

7.2.14 Option ...S: Serial interface

Connection diagram 14

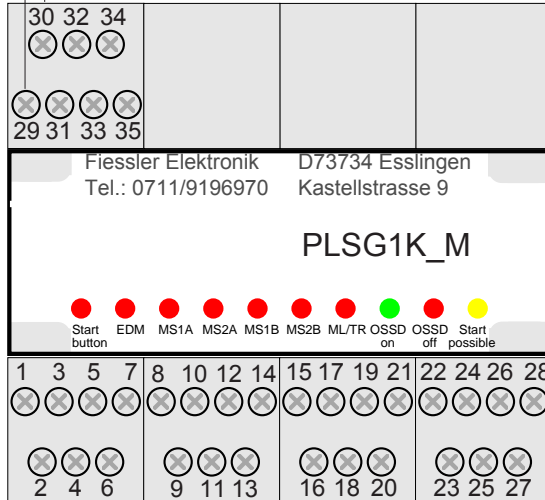
PLSG2K_S	Always
PLSG3K_S	Always

29: RS 485 A

30: RS 485 B

RS 485 -Interface
9600 Baud,
1Startbit, 1Stopbit

Measurement value
processing / display unit
e.g.: Fiessler HMI



Option ...S

Serial output of status / error messages

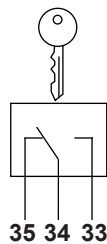
7.2.15 Option ... P: Beam blanking functions of the BLVT / BLCT light grid
(with an external key switch)

Connection diagram 15

PLSG2K_P	Always
PLSG3K_P	Always

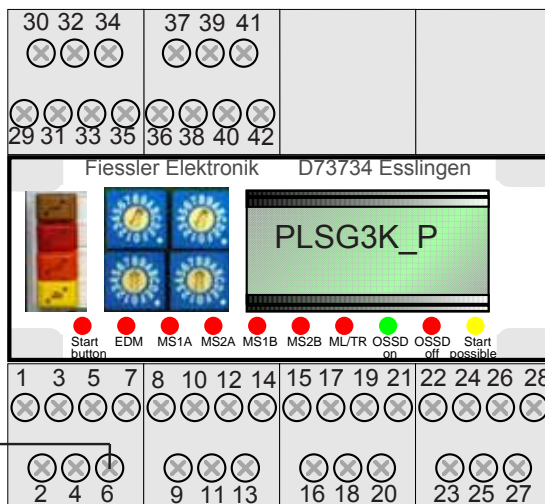


Key switch



Description on Page 12

+ 24 VDC

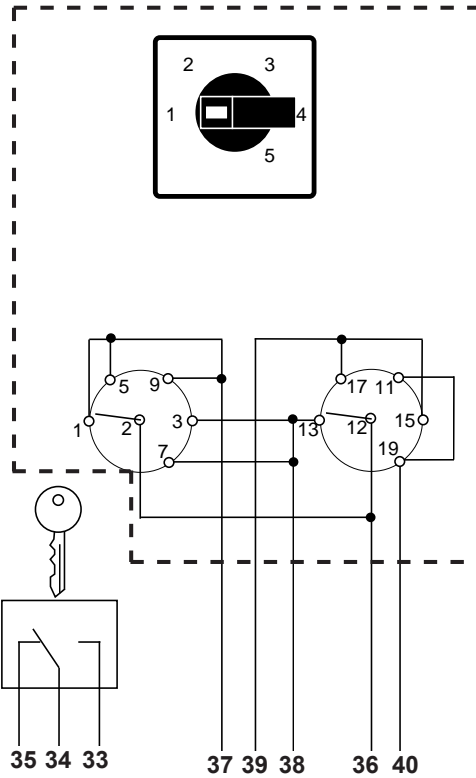


7.2.16 Option ...P: Mode changeover with external selector switch

Connection diagram 16

PLSG3K_P

acc. to application



Key switch for programming

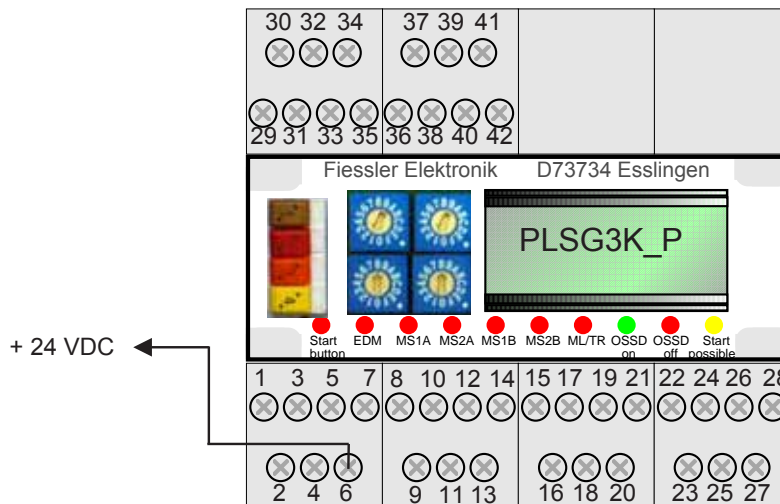
Selector switch

for changing between max. 5 stored blanking types and / or operating modes of the PLSG3K e.g

z.B. KRAUS & NAIMER
CA4-1 A252-600 FS2
2 pole (2 levels),
5 switching stages

Terminal bridges must remain in the configuration as on delivery.

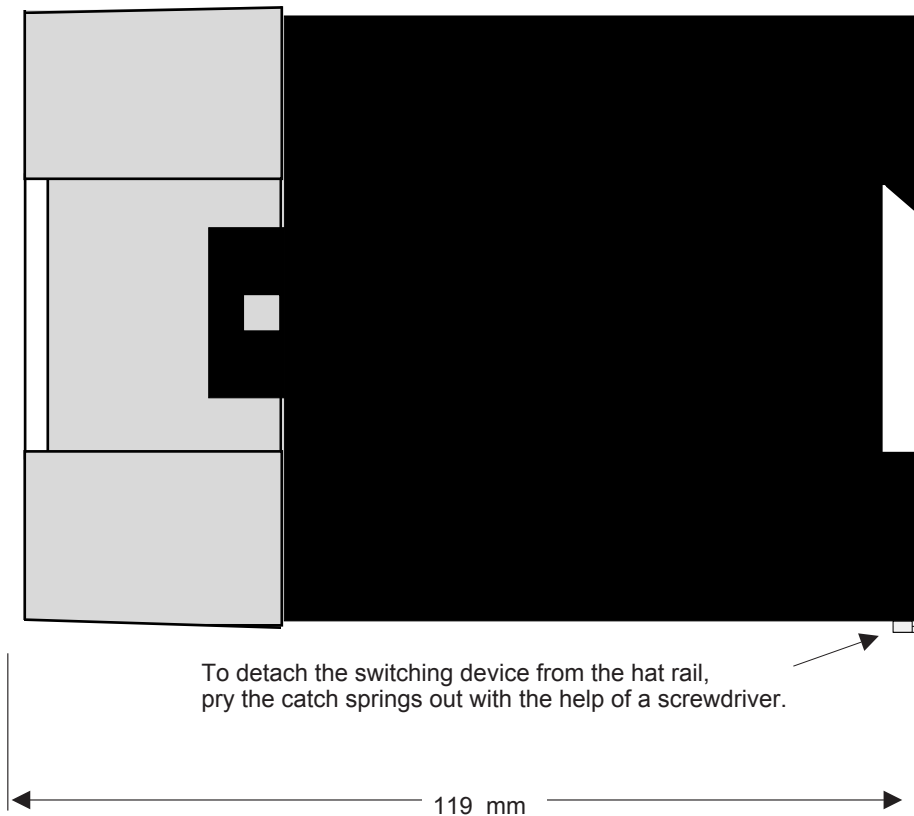
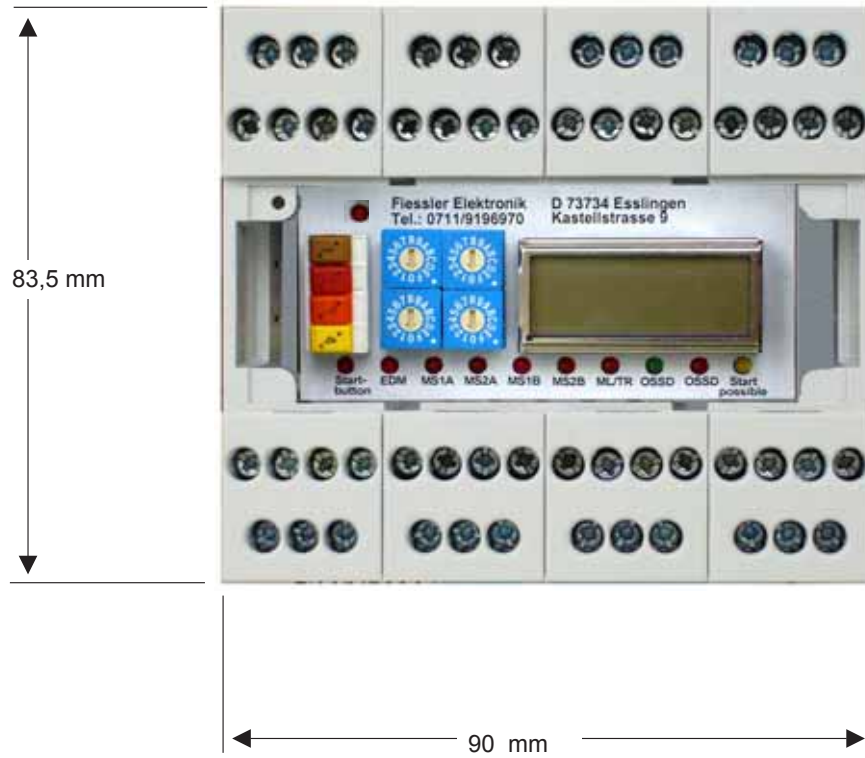
selector switch	Contacts connected
1	36 + 37 + 38
2	36 + 37 + 39
3	36 + 37 + 40
4	36 + 38 + 39
5	36 + 38 + 40



Possibilities: (described on Pages 13/14/15)

- a) Storage and recall of up to 5 operating modes in the PLSG3K_P
- b) Storage and recall of up to 5 beam blanking types in the BLVT light grid
- c) Storage and recall of up to 5 operating modes in the PLSG3K_P; storage and recall of up to 5 beam blanking types in the BLVT light grid

The PLSG...K is installed on a hat rail in a switch cabinet housing.



Technical specifications	
Safety Category	4 (EN ISO 13849-1:2008) and EN 61496 or IEC 61496
Performance Level	PL e (EN ISO 13849-1:2008)
Safety Integrity Level	SIL3 (EN 62061:2005)
Protection type	IP 40 housing, IP 20 terminals
Protection class	Protective insulation
Ambient operating temperature	-10 to 55 °C
Storage temperature	-25 to 70 °C
Supply voltage	24 V DC, ±20%, (SELV). The external supply voltage must be able to bridge brief power failures for up to 20 ms according to EN 60 204.
Current consumption	Max. 250 mA (without load).
Outputs	OSSD1 and OSSD2: Fail-safe PNP outputs, max. 0.5 A, monitored for short-circuit and cross-connections OSSD3 (category 3 only with OSSD1 and OSSD2): 2-channel control, PNP output, max. 0.5 A
Electrical connection	Plug-in terminal strips
Connection cable	5 to 7-pole (depending on the operating mode); max. 1.5 mm ²
Max. response time	After interruption of the light grid's protective field : 3.5 ms + XLVT response After interruption of the emergency-stop circuit: 30 ms if both circuits open, or 63 ms if only one circuit opens due to a defect If OSSD 2 turn off delay is active: 0.5 s.
Muting response time	Minimum activation / deactivation time for the muting sensors: 30 ms + muting sensors switching time
Muting time limit	PLSG1: 1 h* / PLSG2 and PLSG3: 1 to 253 s or 1 h** (on delivery: 30s)
Delayed end of muting	PLSG1K: not possible / PLSG2K and PLSG3K: 0 to 30 s, or 0 to 195 s (on delivery: 0s)
Override state	Max. 35 s
Inputs	0V to 24 V DC +-20% / 10 mA, (at least 15 V to allow detection of high levels).
External muting lamp	24V max. 0.5 A, min. 50 mA
Minimum time for cycle counter reset	30 ms
Option ...R 2 safety relays	: Potential-free, monitored, force-guided switching contacts: 2 x 1 normally closed, 2 x 2 normally open and 2 x 2 normally open in series (1 normally open contact of each safety relay) max. 2 A / 250V AC or 60V DC, 30 ms : if an inductive load is employed, connect spark quenching elements
Option ...S, RS 485 interface	: 9600 baud, 8 data bits, 1 start bit, 1 stop bit

* **Muting time limit firmly set:** 1 hour

** **Max. muting time limit adjustment:** 1 to 253 s or 1 hour

If the function "immediate end of muting on clearing of the protective field" has been selected, there is no muting time limit.



LED start button
comes on when the start button is actuated (when +24V are applied to the Start input see connection diagram 1)

LED EDM

(for operating modes with contactor control, see connection diagram 1)
comes on when the OSSDs are deactivated and the connected contactors are released

LEDs MS1A, MS2A, MS1B and MS2B
come on when the related muting sensor applies + 24V to pin 4 of the corresponding input (muting request see connection diagram 6 / 7)

LED ML /TR comes on when + 24V are applied to input TR.


In muting mode:
Stoppage of muting time limitation
(see connection diagram 8)


In the cycle control mode:
Cycle reset when TR = 0V
(see connection diagram 10)

Start possible LED comes on when the light grid's protective field is clear and start of hazardous movement can be performed through actuation of the start button (active outputs OSSD1 and OSSD2).

Red LED **OSSD** comes on when outputs OSSD1 and OSSD2 are inactive.

Green LED **OSSD** comes on when outputs OSSD1 and OSSD2 are active.

Fault	PLSG1K	PLSG2K	PLSG3K	Display on PLSG3K PLSG2K	Possible causes	Remedies
OSSDs are disabled	-	X	X	invalid op. mode	Hex switches are incorrectly adjusted or their adjustment has been modified during operation.	Read the operating instructions and adjust the hex switches correctly.
OSSDs are disabled	X	X	X	OSSD error	Short-circuit between the lines connected to the OSSDs; short-circuit of one of these lines after + or - or internal fault.	Check the OSSD connection lines. If these lines are OK, PLSGK must be returned to Fieessler Elektronik for testing.
OSSDs are disabled	X	X	X	contact. check	Monitoring contacts of downstream switching devices do not close. Interruption of the monitoring channel (EDM). Downstream switching elements are not released.	Check monitoring channel. Change contacts. Check switching devices (downstream contactors).
OSSDs are switched briefly on and off	X	X	X	check contact.	Monitoring contacts of downstream switching units do not open. Short-circuit of monitoring channel after +24V. Interruption in triggering of downstream switching devices.	Check monitoring channel. Check control of downstream switching devices.
Muting is disabled and at least one pair A1-A2 or A2-B1 or B1-B2 of red LEDs at the muting inputs light up as soon as material interrupts the protective field.	X	X	X	No fault message	Muting sensors are incorrectly placed. Installation order of the muting sensors is wrong. A muting sensor output is permanently in the non-muting state. Interruption of muting cables.	The muting sensors must be connected in a way that one of the muting sensor pairs A1-A2 or A2-B1 or B1-B2 always detects the material when it interrupts the protective field. Test the function of each muting sensor whose corresponding red LED at the PLSGK does not light up. Check the cabling of the muting sensors.
Muting is disabled and one red LED of the muting inputs lights up.	X	X	X	at least after voltage reset override possible	Incorrectly adjusted or defective muting sensor. Short-circuit in muting sensor cable.	Readjust muting sensors. Check muting sensors. Check muting sensor cables.
Muting disabled	X	X	X	muting lamps defect	Both muting lamps are defective (only version with 2 muting lamps). Muting lamp is defective.	Check the muting lamps. Check the muting lamps' connections and wiring.
Muting disabled	X	X	X	muting stop error	The muting time limitation stoppage input TR is connected to +24V before the muting sensors assume the muting state.	Check the cabling for short circuit. Check whether the control unit is OK.
Muting is sporadically disabled and conveyance speed fluctuates.	-	X	X	No fault message	The muting time limit is too short.	Set the muting time limit corresponding to the slowest conveyance speed.
Muting is sporadically disabled and length of conveyed items varies.	X	X	X	No fault message	The muting sensors are mounted too far apart.	The muting sensors must be mounted in a way that each muting sensor pair detects even the shortest conveyed items.  Important: The sensors must be mounted in a way that the protective field cannot be passed through inadvertent triggering of the muted state.

Fault	PLSG1K	PLSG2K	PLSG3K	Display on PLSG3K PLSG2K	Possible causes	Remedies
Muting is sporadically disabled and the interval between conveyed items varies.	X	X	X	No fault message	<p>If the function "immediate end of muting when protective field is cleared again" is selected: Before the first conveyed item leaves the protective field, subsequent items are detected by a muting sensor.</p> <p>If this function is not selected: At the smallest interval between conveyed items, several such items consecutively pass the muting sensors, so that the muting time limit expires before recurrence of a state in which none of the muting sensors detects a conveyed item.</p>	<p>Install the muting sensors closer to the protective field.</p> <p>Increase the interval between the conveyed material items.</p> <p>Deselect the function "end of muting when protective field is cleared again".</p> <p>Extend the muting time limit.</p> <p></p> <p><u>Important: The sensors must be mounted in a way that the protective field cannot be passed through inadvertent triggering of the muted state.</u></p>
One muting lamp flashes in the muted state.	X	X	X	mut.lamp ERROR	<p>On the version with 1 muting lamp: No fault.</p> <p>On the version with 2 muting lamps:</p> <p>The muting lamp which is inactive in the muting state has an interruption. The second muting lamp is not connected or its connection is interrupted.</p>	<p>Only on the version with 2 muting lamps:</p> <p>A repair is only necessary if availability needs to be enhanced, or if the remaining muting lamp is not visible from operator's position.</p>
Muting lamps go off although a pair of sensors needed for the muted state still detects conveyed material.	-	X	X	muting end	<p>If the function "immediate end of muting when protective field is cleared again" is selected: The conveyed material has passed the protective field – no fault.</p> <p>If this function is not selected: The muting sensors detect the presence of conveyed material for a longer time than the programmed muting monitoring time.</p>	<p>No fault.</p> <p>Extend the muting time limit.</p> <p>Prevent material accumulation.</p> <p>In case of material accumulation, stop the muting time limit by triggering the TR input.</p>
OSSDs are disabled and the protective field interrupted (red LEDs light up at the safety light barrier) and only one red LED of a muting sensor input lights up.	X	X	X	mut.sens or Error	The protective field has been interrupted by an item that is shorter in length than scheduled for muting; therefore this item is detected by only one muting sensor and no override start is possible..	Remove the item which interrupts the protective field.
OSSDs are disabled; several LEDs and the muting lamp flash rapidly (about 3 times / second).	X	X	X	error (number)	Internal fault.	Perform a voltage reset on the PLSGK. If the fault message is still displayed, the PLSGK must be returned to Fiesler Elektronik for repair.
Only in selector switch mode						
OSSDs are disabled	-	-	X	selector error	After re-programming, the current selector switch position was not output to the PLSGK.	Operate the key switch which is connected to the BLPG or the BSPG.
OSSDs are disabled	-	-	X	noOPmode assigned	The selector switch setting has not been assigned to an operating mode.	Assign the selector switch setting to an operating mode.

Fault	PLSG1K	PLSG2K	PLSG3K	Display PLSG3K	Possible causes	Remedies
Only in case of emergency-stop						
OSSDs are disabled	-	-	X	offemerg ency err	Interruption of emergency-stop circuits too short. Emergency-stop circuit does not open.	Open and close emergency-stop for 1 s. Check emergency-stop button.
OSSDs are disabled	-	-	X	emergen cy error	Emergency-stop circuits are interrupted.	Check & close all such circuits.
Only in case of two-hand start						
OSSDs are disabled	-	-	X	refresh 2hand.st	Both two-hand buttons have not been pushed within 0.5 s of each other. One of the two buttons has a defect or faulty wiring.	Activate both two-hand start buttons at the same time and release them. Check the buttons and their cabling.
OSSDs are disabled	-	-		2hand.st differ.t	Both two-hand buttons have not been released. NO contact jams. NC contact is non-conductive.	Release both two-hand buttons. Check the buttons.
Only with restart interlock during hazardous movement						
OSSDs are disabled	-	-	X	EDMshort circuit	Downstream switching devices are turned off longer than 1 hour. Control channel (EDM) of downstream switching devices has a short-circuit after +24 V.	Actuate the start button. Check the cabling.
Display shows " keinGefaehrli.Bew " during hazardous movement.	-	-	X	noDanger moving	Control channel (EDM) of downstream switching devices has a short-circuit after +24 V.	Check the cabling.
Only in cyclic mode						
OSSDs are disabled	-	-	X	counter reset	Machine is stopped in the position in which the cycle reset switch is open. Cycle reset switch does not close or a line is interrupted.	Bridge the cycle reset switch. After that, perform the programmed number of interventions in the protective field and start the machine via the start button. Check the cycle reset switch.
Machine continuously performs successive work cycles without waiting for operator intervention.	-	-	X		Cycle reset switch does not open. Cycle reset switch opens after a period shorter than 30 ms, or a line is short-circuited.	Check the cycle reset switch or its control. Check the cabling.
OSSDs are disabled	-	-	X	int.rupt n.essary	Not all interventions of the protective field required for triggering machine movement have been performed yet.	Reach one more time into the protective field within the set work time monitoring time. If the work monitoring time is over, perform the number of field interruptions programmed for a release of the working movement. After that, actuate the start button within the programmed work monitoring time.

Service

If you have any questions that cannot be answered by reading this operating manual, please contact us directly.

When calling, please have the following details ready:

- Device designation
- Serial number
- Fault symptoms and description

Fiessler Elektronik GmbH & Co. KG
Kastellstraße 9
D-73734 Esslingen

Phone +49-711-919697-0
Fax +49-711-919697-50
E-mail info@fiessler.de

Maintenance

The devices of the series of PLSG... are maintenance-free.

On request by the customer, Fiessler Elektronik GmbH & Co. KG carries out the acceptance test and annual inspections. In addition, seminars providing customers with training in annual inspections are held at regular intervals.

Warranty

The company Fiessler Elektronik GmbH & Co. KG refuses to accept any warranty claims if the device has been opened or if it has been modified.

Returning a unit

If a unit proves defective and needs to be returned, the following details will greatly help us in repairing the fault quickly:




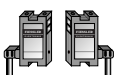



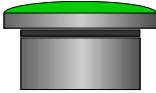
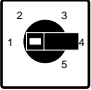
- Exact fault description
 - Has the machine furnished with the light curtain exhibited other faults?
 - Have you noticed any other failures in the past?
 - In which operating mode was the unit last used?

The more precise the fault description, the more efficiently and reliably we will be able to pinpoint and eliminate the fault.

Download area

The latest operating manuals, device descriptions etc. can be downloaded free-of-charge from our homepage.

<http://www.fiessler.de>

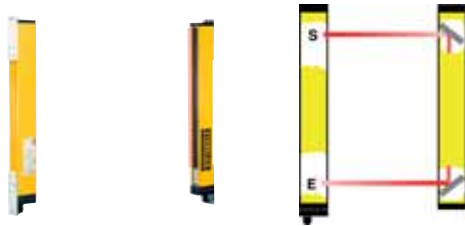
Accessories	Title	Weight/Length	Order code
Muting sensor 	Retroreflex GR 5 / 24 T, 24 V, transistor output, 5 m dark range, 2 m cable and reflector	150g	GR5/24TDS
Muting sensor 	Retroreflex GR 5 / 24 T, 24 V, transistor output, light on 5 m range, 2 m cable and reflector	150g	GR5/24THS
Muting sensor 	Retroreflex GR 5 / 24 R 24 V, relay output, 5 m dark range, 2 m cable and reflector	150g	GR5/24RDS
Muting sensor 	Retroreflex GR 5 / 24 R 24 V, relay output, 5 m light switching range, 2 m cable and reflector	150g	GR5/24RHS
Muting sensor 	MFL, multi-beam sensor, incl 100x100mm Reflector, firmly attached 2m cable. Photoelectric multifunction range to 15 meters.	260g	MFL
Muting lamp 	Mutinglamp white 230V / 7W	150g	UMLW
Muting lamp 	Mutinglamp white 24V / 7W	150g	UMLW24
Startup switch 	Startup switch in the mounting housing	On request	StartAufbau
Selector switch 	Selector switch	80g	On request

Matching light curtains, light grids and muting sensors

Light curtains, light grids

Suitable safety light barriers can comprise, for instance, devices of the ULVT / BLVT and ULCT / BLCT series. These devices are available as light grids with various beam intervals.

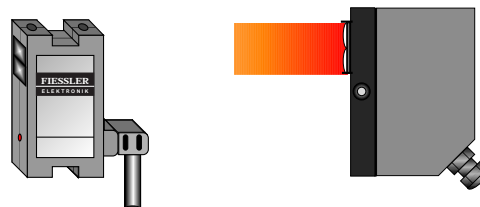
ULVT light grid
BLVT light grid
ULCT Lichtgitter
BLCT Lichtgitter
ULVT 500/2R
LSUW 500/2
EU2K500/2
ULVT 800/3



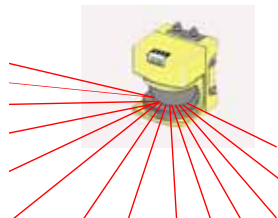
Muting sensors

Reflex light barriers or one-way light barriers can be used as muting sensors. We recommend the following reflex light barriers:

GR 5/24
MFL



Additional safety products



Laser scanners



Parametrizable safety controller FPSC



Press brake protection system AKAS



Light curtains for safety, control and measurement

Service

Safety seminars and integration support by our service team.

Certification

A quality management system was introduced at an early stage to guarantee the high quality of Fiessler safety equipment. Fiessler Elektronik is certified according to DIN ISO EN 9001. The company's own electromagnetic compatibility laboratory tests products on a regular basis. All safety equipment complies with national and European standards. Development takes place in consultation with the relevant trade associations. Certification is received followed rigorous tests by the Technical Inspection Board.



Recognition

by Baden Württemberg's ministry of economy of outstanding performance by the innovative AKAS safety system.



Fiessler Elektronik GmbH & Co. KG
Kastellstr. 9
D-73734 Esslingen

Phone: +49(0)711 -91 96 97-0
 Fax: +49(0)711-91 96 97-50
 Email: info@fiessler.de
 Internet: www.fiessler.de

Represented in all major countries

