



SSP

Safety System Products

HOLDX RL2-CS-P8-W-B

Process guard lock master, individual, reteachable, 2 x pigtail
M12 8-pin, 1200 N locking force

Your advantages

- PLe according to EN 13849-1
- High Coded according to EN 14119
- From little windows up to big safety doors
- Shortest commisioning time
- Pigtail connection reduces cabling effort
- Less down- and setup time, due to maintenance Monitoring
- High tolerance for door offsets



To the downloads ►

we simplify safety



Safety System Products

HOLDX RL2-CS-P8-W-B

Ideal for large doors. Thanks to the locking force of 1200 N, the HOLDX RL prevents doors from tearing open. With a slim width of only 35 mm, the guard locking is ideal for space-saving installation on aluminum profile systems. Like the HOLDX RS, the guard locking has also has a permanent magnet of 50 N, which prevents a door from opening.

Locking force Fmax	1200 N
--------------------	--------

General data

Type designation	RL2-CS-P8-W-B
Item number	SP-X-71-001-15
Coding levels	Individually

Safety relevant data

Category (EN ISO 13849-1: 2015)	Cat.4
SIL (EN IEC 62061: 2005 + A2: 2015)	SIL CL3
SIL (IEC 61508: 2010)	SIL3
- Hardware fault tolerance	HFT1
- PFHd	2,24 x 10 ⁻⁹
Service life (EN IEC 62061)	20 Years
Switching current per safety output max.	100 mA (DC-12/DC-13)

Safety data

Performance Level (EN ISO 13849-1: 2015)	PLe
--	-----

Environmental conditions

Max. storage temperature	-20 °C...+70 °C
Max. operating temperature	-20 °C...+55 °C
Protection class	IP67
ΔT max	0,5 °C/ min

Electrical data

Supply voltage	24 VDC (+10/-15%)
Power consumption (incl. OSSD outputs)	17 W



Safety System Products

HOLDX RL2-CS-P8-W-B

Rated current (on 24 VDC)	645 mA
No-load current I ₀	60 mA
Amount safety inputs	1x 2-channels
Current consumption per input max.	2,75 mA
Current consumption input magnet ON	1,2 mA
Voltage drop safety output (U _d)	0,75 V
Amount OSSD safety output	1x 2-channels
Safety output - output type	Transistor (PNP)
Residual current safety output (I _r)	0,5 mA
Load capacitive reactance safety output max.	20 nF
Amount diagnosis output	1
Diagnosis output- output type	Transistor (PNP)
Connection type	(Version HOLDX RL1-8P) M12 8-pin, Pigtail 200 mm
Series connection for safe In- and Outputs	max. 30 process locks
Protection class power supply	III
Switching current per diagnosis output max.	100 mA
Design / Connections	2x Pigtail 8-pins
Bluetooth	□
Vernetzung	Master
Risk time	75 ms ms

Mechanical data

Dimensions

Width	34 mm
Length	(without cable) 240 mm
Height	31 mm
Locking force electromagnet	1200 N
Permanent resting force	50 N
Smart resting force	0/ 30 N/ 50 N
Weight process lock	725 g
Torque (mounting screw) process lock	6 Nm
Mounting	Screwing with raised head screw M6 Torx with pin



Safety System Products

HOLDX RL2-CS-P8-W-B

Material housing lock	PBT GF30, Aluminium eloxated black, AlMgSi, TPE, PC
Shock resistance	30 g / 11 ms
Vibration resistance	1 g, 5-150 Hz
Switching distance according to DIN EN 60947-5-3:2014-12	
Assured switching distance ON S(ao)	4 mm
Assured switching distance OFF S(ar)	15 mm
Minimum switching distance S0min	0,5 mm
Typical switching distance S(n)	5 mm
Repeat accuracy R switching distance	<0,5 mm
Hysteresis	2 mm
Generall periods	
Readiness delay t(v)	3000 ms
Start delay acuator t(on)	75 ms
Safety function times	
Switch-off reaction time inputs	max.3 ms
Switch-off reaction time anchor plate - Outputs t(off)	max. 75 ms
Test impulse length OSSD Sicherheitsausgänge	0,3 ms

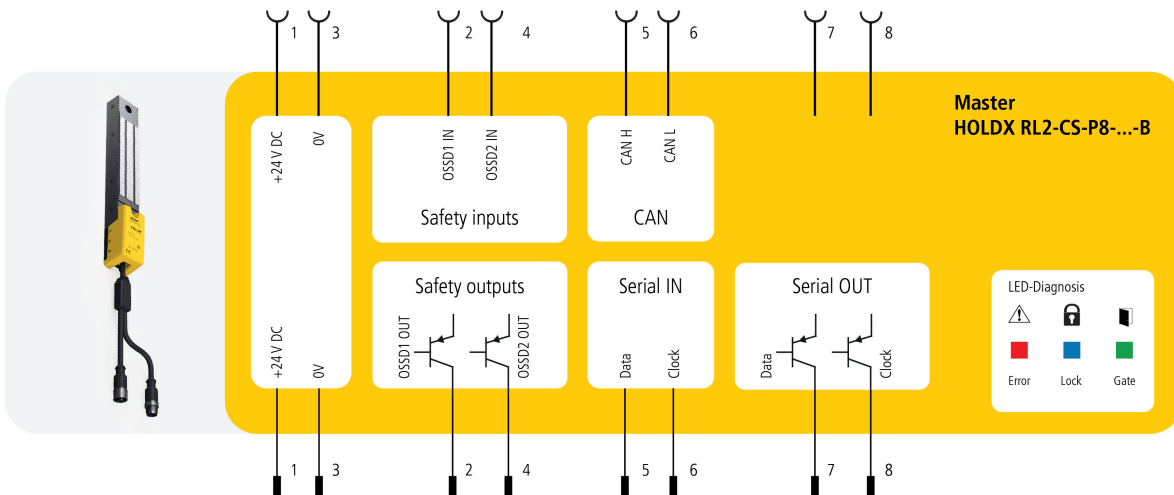


Safety System Products

HOLDX RL2-CS-P8-W-B

Electrical drawings

Connection drawing



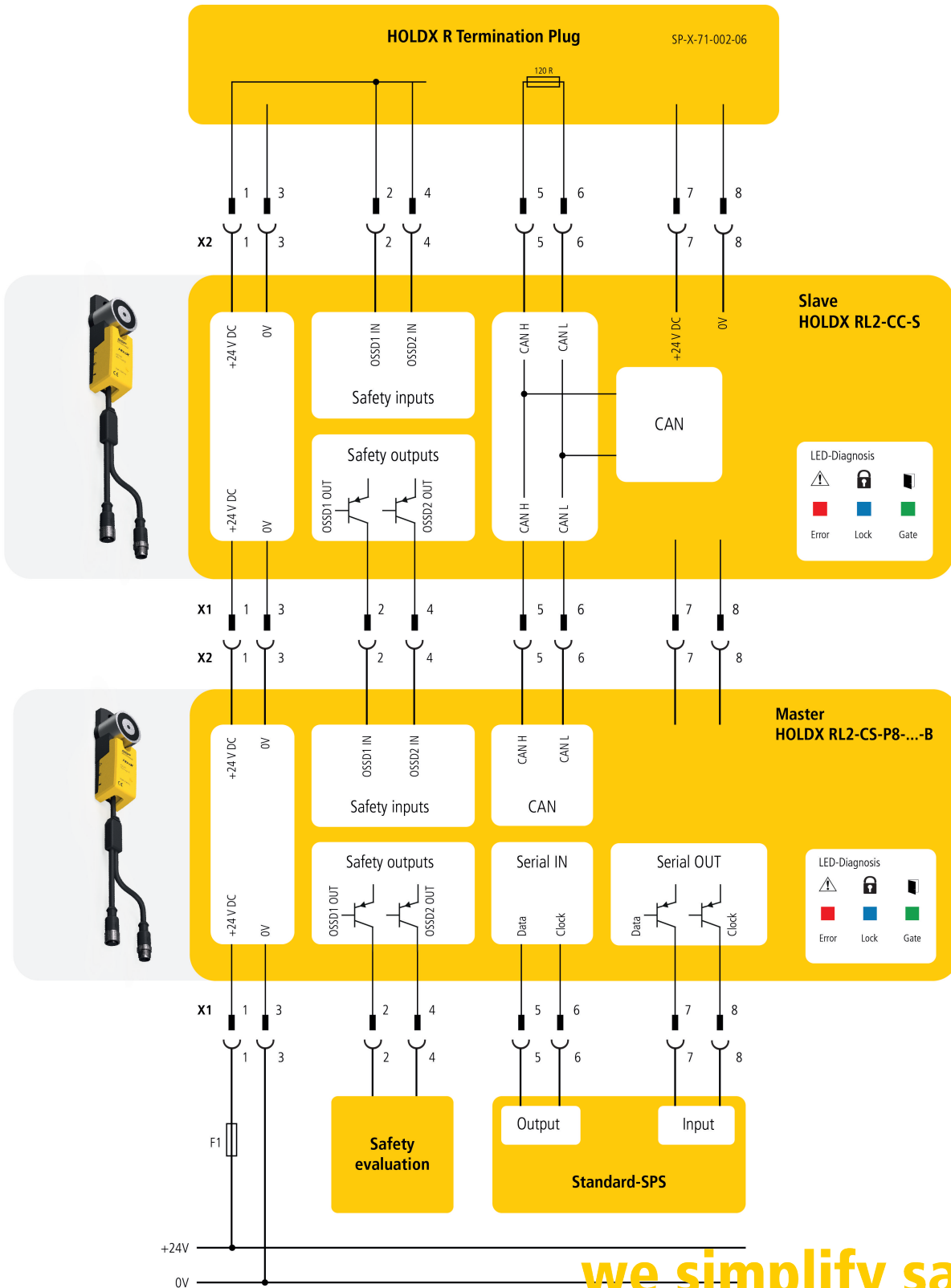
we simplify safety



HOLDX RL2-CS-P8-W-B

HOLDX RL2-CS-P8-W-B

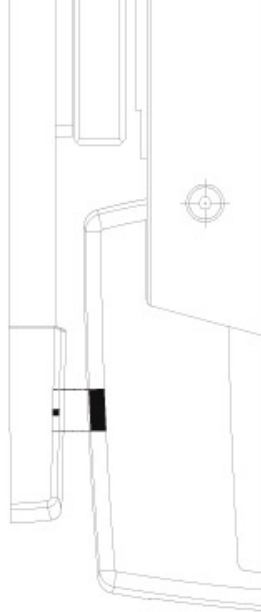
Connection example 1



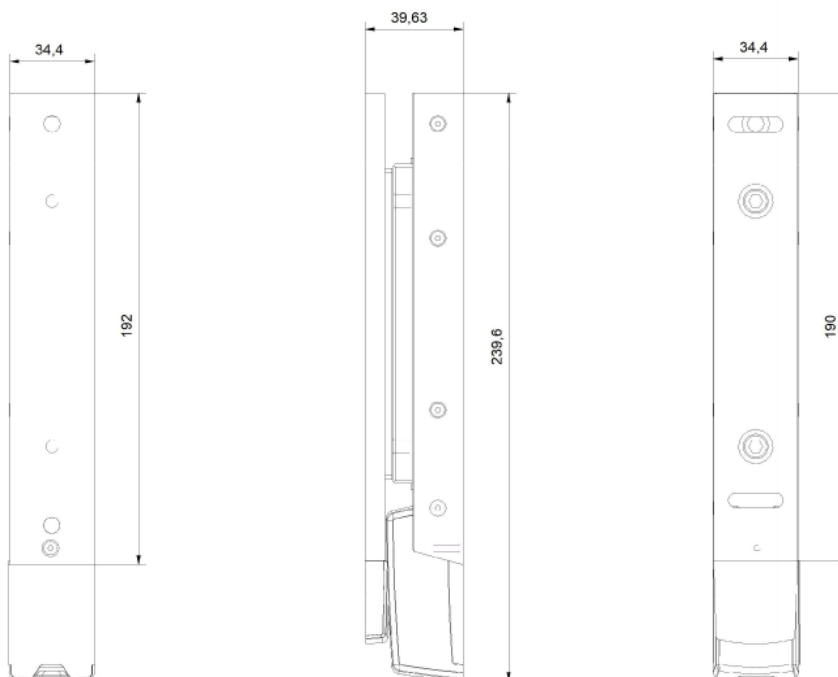
HOLDX RL2-CS-P8-W-B

Drawings

Approach

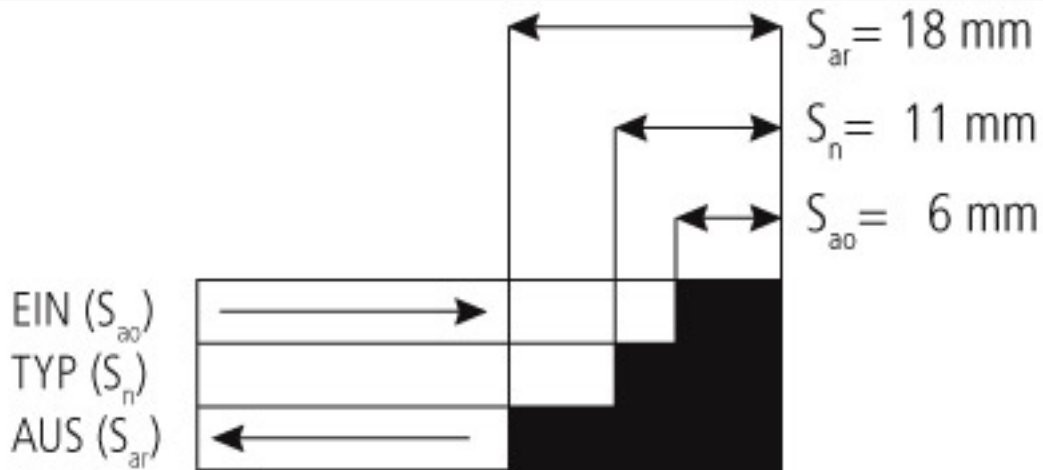


Dimensions



HOLDX RL2-CS-P8-W-B

Switching gap



Begriffe nach EN IEC 60947-5-3:

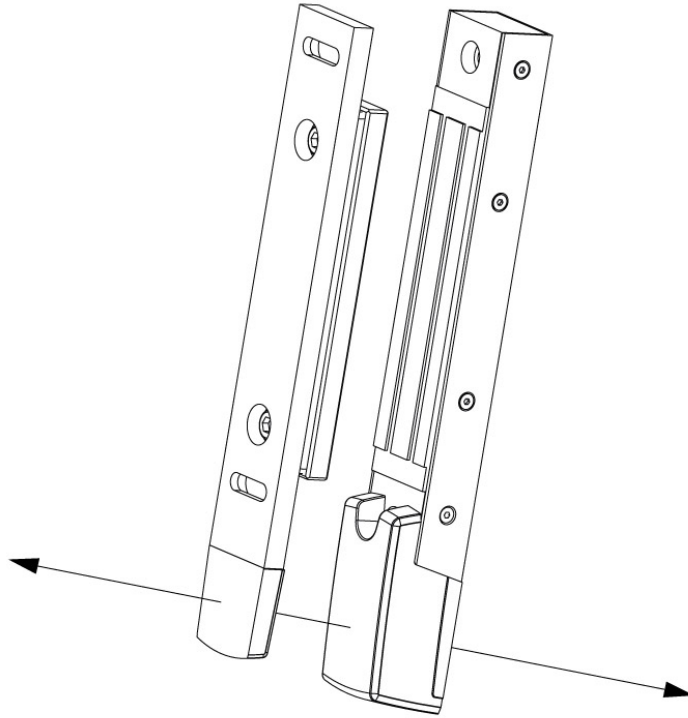
S_{ao} = Gesicherter Schaltabstand EIN

S_n = Typischer Schaltabstand

S_{ar} = Gesicherter Schaltabstand AUS

HOLDX RL2-CS-P8-W-B

Approach direction



Equipment

Accessories

M12-female connector, 8 pin, 10 m

C8D10

SP-R-13-309-81



M12-female connector, 8 pin, 15 m

C8D15

SP-R-13-309-82





Safety System Products

HOLDX RL2-CS-P8-W-B

M12-female connector, 8 pin, 25 m

C8D25

SP-R-13-309-67



M12-female connector, 8 pin, 40 m

C8D40

SP-R-13-309-66



M12-female connector, 8 pin, 5 m

C8D5

SP-R-13-309-80



Safety switches

Free software for safe process guarding HOLDX R

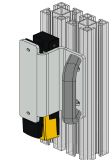
HOLDX Manager



Mounting fitting HOLDX RL for wing doors with handle

HOLDX RL-Z-MF1

SP-X-71-002-00



Mounting fitting HOLDX RL for wing doors

HOLDX RL-Z-MF2

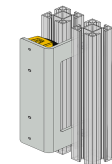
SP-X-71-002-08



Mounting fitting HOLDX RL for sliding doors

HOLDX RL-Z-MS1

SP-X-71-002-01



Passive distributor

XCONN P6-M12-10m

SP-X-71-000-04



we simplify safety



Safety System Products

HOLDX RL2-CS-P8-W-B

Passive distributor

XCONN P6-M12-5m

SP-X-71-000-00



Passive distributor

XCONN P6-M12-M23

SP-X-71-000-01



Y distributor

XCONN Y2-M12

SP-X-33-000-71



Connection module for EDI D1B

XCONN Y3-M12

SP-X-33-000-75



Connection module EDI C7

XCONN Y4-M12

SP-X-33-000-76



Safe control technology

Standard safety relay 1 safety function

MOSAIC M1

SP-R-11-000-00



Standard safety relay 1 safety function

S2 series

SP-K-70-001-00



Wireless Safety

we simplify safety



Safety System Products

HOLDX RL2-CS-P8-W-B

Safety Simplifier for HOLDX R1	S14LDRB-H08-E2-I1-Q1A0-Q 2A0-Q3C0-Q4I0-W06	SP-X-89-000-46	
Safety Simplifier for two HOLDX R1	S14LDRB-H08-E2-I1-Q1A0-Q 2I0-Q3C0-Q4I0-W10	SP-X-89-000-50	
Safety Simplifier for two HOLDX R1	S14LDRB-H09-E2-I1-I1-Q1A0- Q2I0-Q3C0-Q4I0-W11	SP-X-89-000-51	
Safety Simplifier for HOLDX R1	S14LDRB-H0A-E2-I1-I1-I1-Q1 A0-Q2A0-Q3C0-Q4I0-W08	SP-X-89-000-48	
Safety Simplifier for two HOLDX R1	S14LDRB-H0A-E2-I1-I1-I1-Q1 A0-Q2I0-Q3C0-Q4I0-W12	SP-X-89-000-52	
Safety Simplifier for HOLDX R1	S14LDRB-H0A-E2-I1-I1-K8-Q1 A0-Q2I0-Q3C0-Q4I0-W09	SP-X-89-000-49	
Safety Simplifier for two HOLDX R1	S14LDRB-H0A-E2-I1-I1-K8-Q1 A0-Q2I0-Q3C0-Q4I0-W13	SP-X-89-000-53	
Safety Simplifier Standard Module wireless passive distributor	S16LDRB-H10-Q1A0-Q2A0-Q 3C0-Q4A0-Q5U0-Q6U0-Q7U 0-Q8U0-W36	SP-X-89-100-06	

we simplify safety

HOLDX RL2-CS-P8-W-B

Y-distributor

XCONN Y1-M12

SP-X-71-000-02



Downloads

- CAD Data
- Product line
- Catalog
- Software Gateway
- EPLAN-Data
- Certificate UL
- Certificate